

FIXTURE MOUNT - OPTIONS

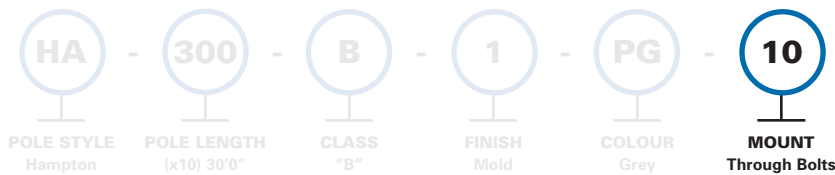
Concrete poles offer the flexibility to accommodate all types of fixture/arm mounts. Following are the most commonly used in the industry. If a style is not shown, tag Style 90 (custom mount) and contact our sales department. Mounting hardware and fixtures are not included with the pole and must be ordered separately.

FIXTURE MOUNT CODES AND DESCRIPTIONS

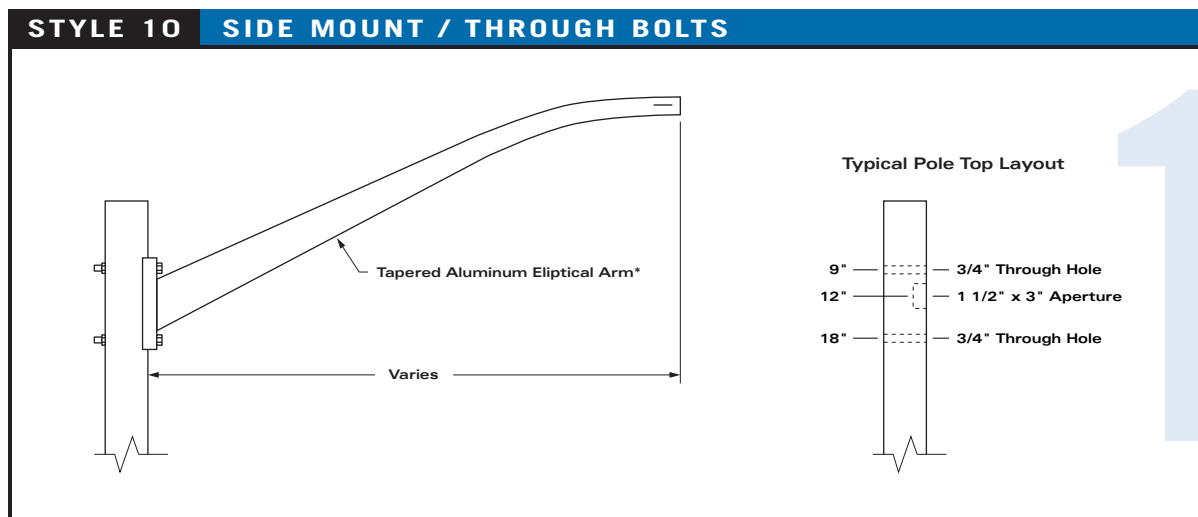
CODE	DESCRIPTION
10	Side Mount / Through Bolts
20	Side Mount / Inserts
30	Steel Tenon / Post Top
40	Concrete Tenon / Post Top
50	Top Mount / Round
55	Top Mount / Octagonal
60	Scroll Arm
70	Clamp On
80	Camera Mount
90	Custom Mount - as per client needs

POSITION REFERENCE OF FIXTURE MOUNT CODE IN TYPICAL CATALOGUE NUMBER

TYPICAL CATALOGUE NUMBER



FIXTURE MOUNT DIAGRAMS



* Mounting hardware, arms and fixtures are not included with pole.



FIXTURE MOUNT - OPTIONS

STYLE 20 SIDE MOUNT / INSERT

Shoe Box Fixture*

Typical Pole Top Layout

Insert

1 1/2" x 3" aperture

Insert

Please state insert diameter and spacing required to mount luminaire or arm

STYLE 30 STEEL TENON / POST TOP

Post Top Fixture*

Concrete Pole

Typical Pole Top Layout

Steel tenon

Please state length and diameter required to mount luminaire or arm

STYLE 40 CONCRETE TENON / POST TOP

Spun Aluminum Arm*

Concrete Pole

Typical Pole Top Layout

Concrete tenon (Sleeve)

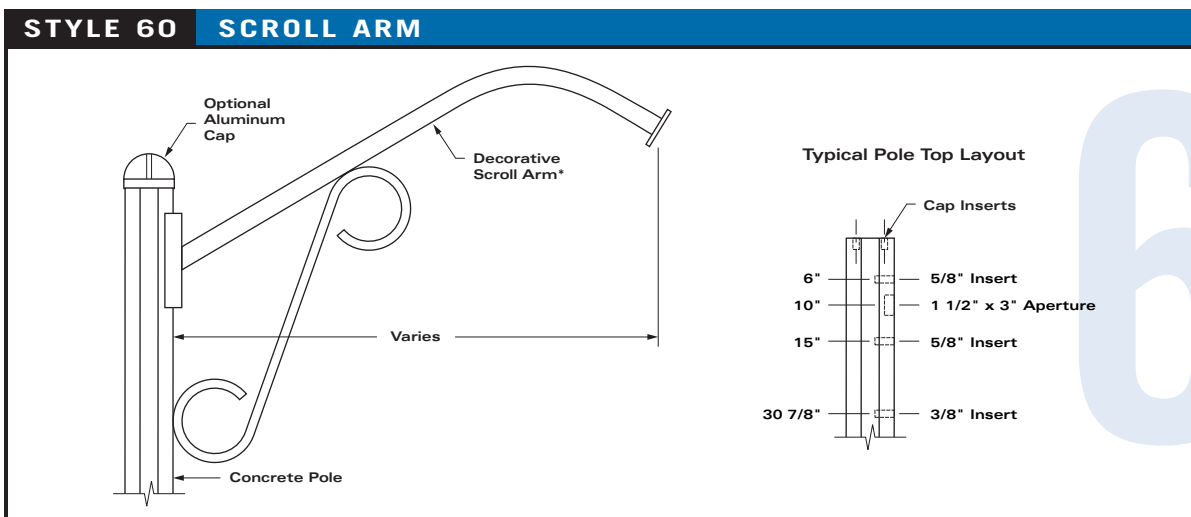
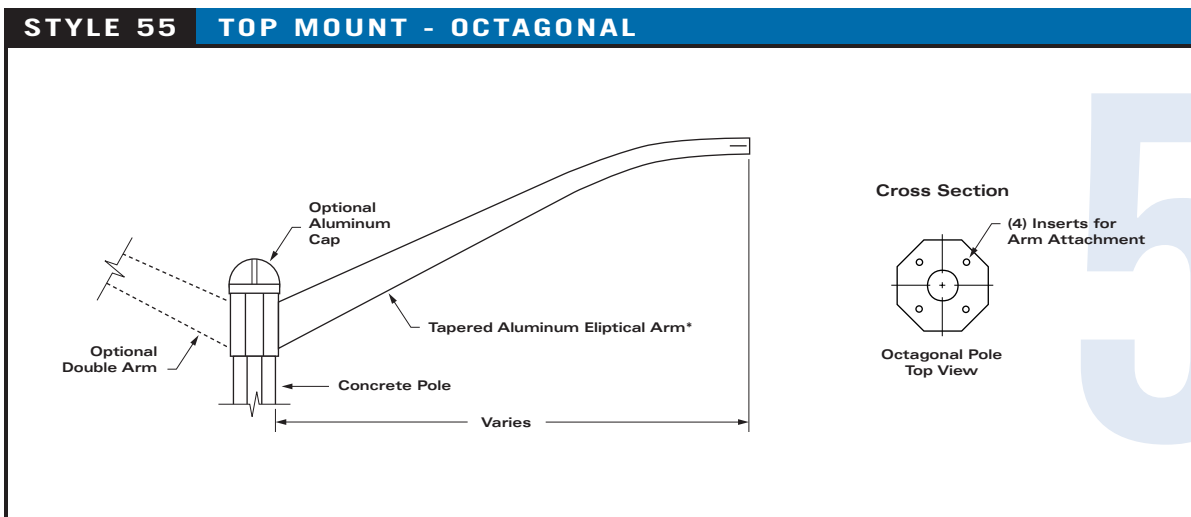
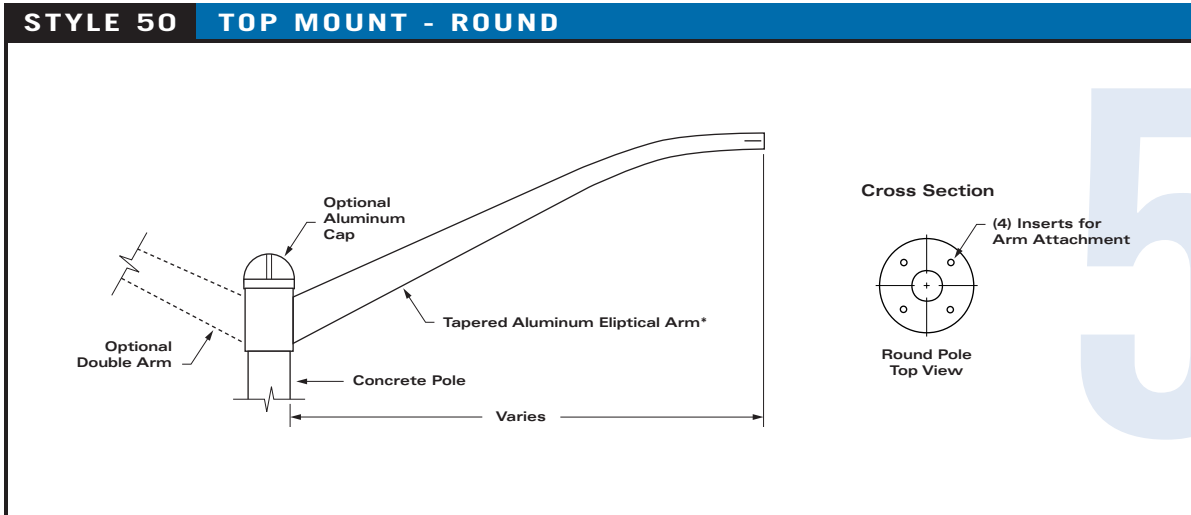
Please state length and diameter required to mount luminaire or arm

* Mounting hardware, arms and fixtures are not included with pole.



61 BONGARD AVENUE, NEPEAN, ONTARIO CANADA K2E 6V2 • TEL: [613] 225-6398 • FAX: [613] 225-1681 • TOLL FREE: 1-800-267-6466
www.utilitystructures.com

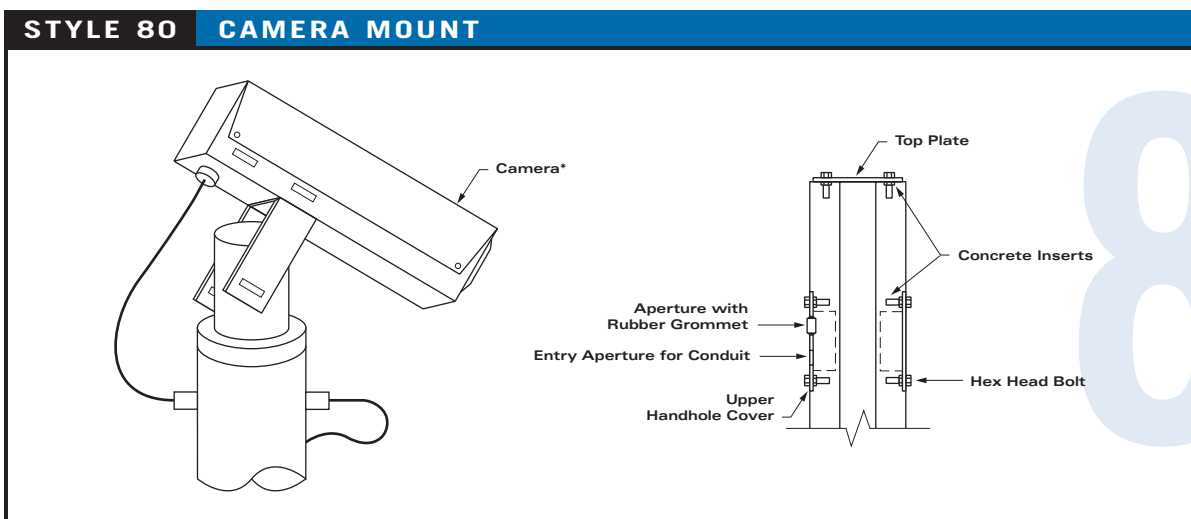
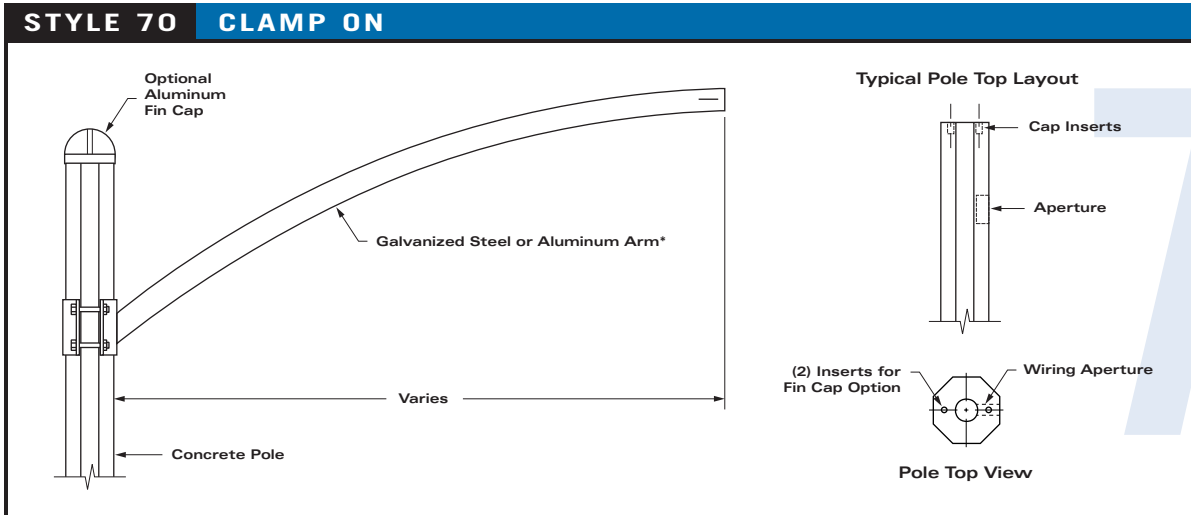
FIXTURE MOUNT - OPTIONS



* Mounting hardware, arms and fixtures are not included with pole.



FIXTURE MOUNT - OPTIONS



STYLE 90 CUSTOM MOUNT

**USI can accommodate any style of fixture or arm.
If the style you require is not shown,
please tag Style 90 and contact our sales department.**

* Mounting hardware, arms and fixtures are not included with pole.



61 BONGARD AVENUE, NEPEAN, ONTARIO CANADA K2E 6V2 • TEL: [613] 225-6398 • FAX: [613] 225-1681 • TOLL FREE: 1-800-267-6466
www.utilitystructures.com