

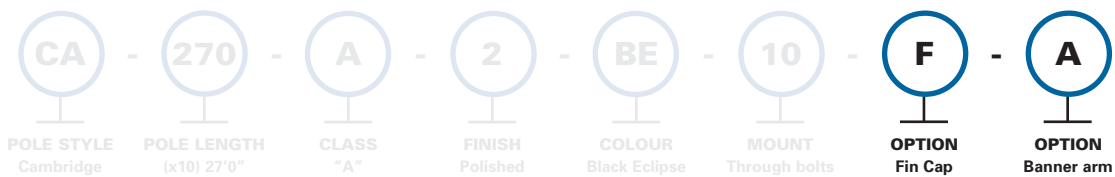
# OPTIONS & ACCESSORIES

## OPTIONS CODES AND DESCRIPTIONS

	CODE	DESCRIPTION OF OPTIONS
<b>OPTIONS</b>	<b>X</b>	<b>Silane Sealer - exterior water protection sealer</b>
	<b>B</b>	<b>Base Mount - galvanized steel base plate mount</b>
	<b>S</b>	<b>Base Shroud - steel or aluminum base plate cover</b>
	<b>F</b>	<b>Fin Cap - cast aluminum color matched four fin cap</b>
	<b>R</b>	<b>GFI Receptacle - GFI receptacle and waterproof cover</b>
	<b>A</b>	<b>Banner Arm - color matched aluminum banner arm</b>
	<b>L</b>	<b>Ladder Rest - color matched aluminum ladder rest</b>
	<b>C</b>	<b>Custom Accessory - call representative for your specific needs</b>

## POSITION REFERENCE OF OPTIONS CODE IN TYPICAL CATALOGUE NUMBER

### TYPICAL CATALOGUE NUMBER

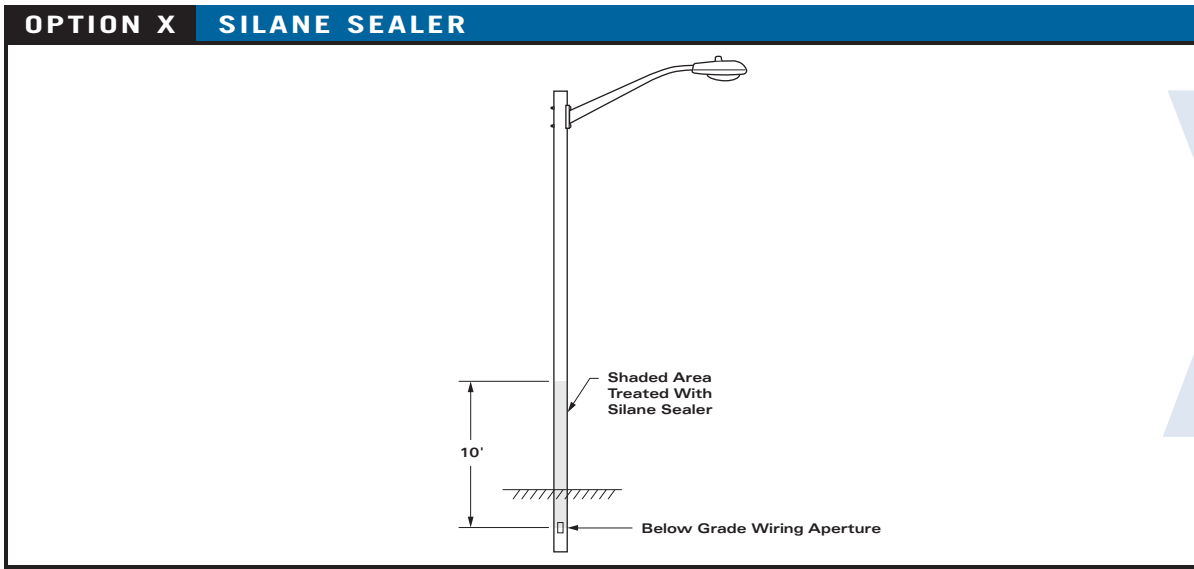


\* More than one option may be selected by adding the code(s) to the catalogue number.

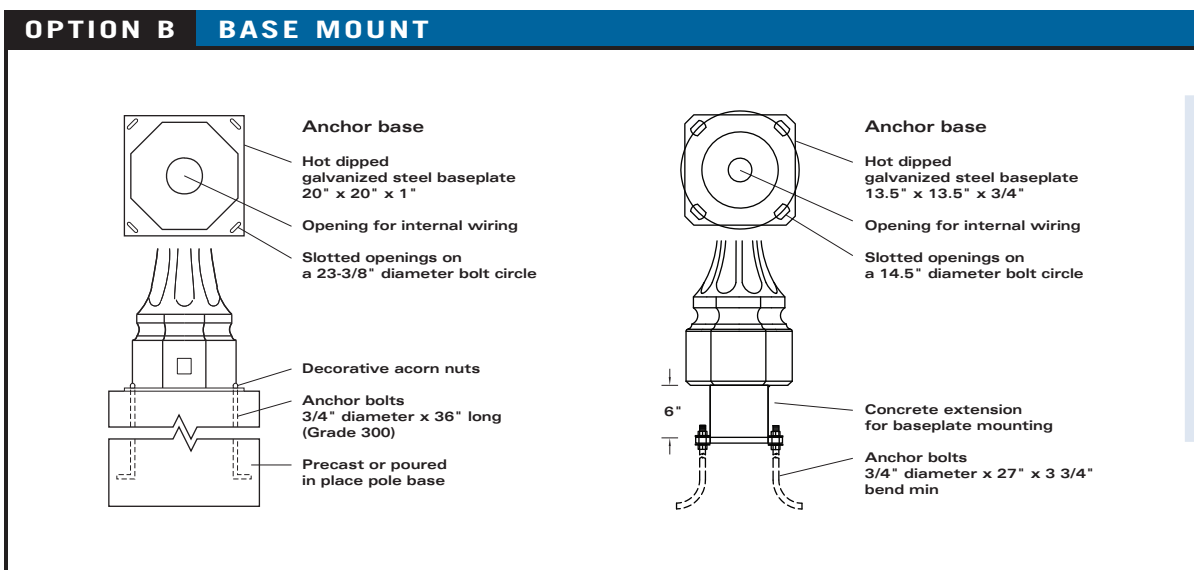


**UTILITY STRUCTURES INC.**

# OPTIONS & ACCESSORIES



Typically applied to plain grey street lighting poles (i.e. HAMPTON SERIES) this Silane Sealer is a premium high performance, breathable, VOC penetrating, clear water repellent sealer. Treated surfaces still have a totally natural appearance. This sealer is very effective in stopping the intrusion of water, salt, chemicals and acids. Typically applied 10 feet above the wiring aperture, but special arrangements can be made for severe environments.

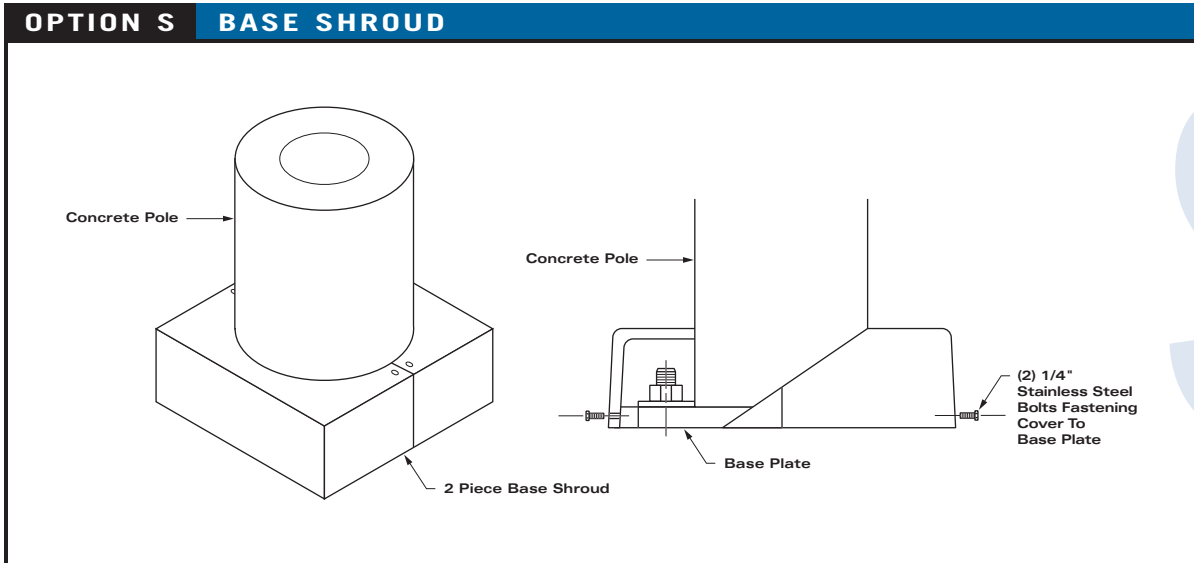


Concrete poles are typically direct buried. An effective and popular option are base plates. This allows for ease of removal. The maximum height allowable for a base plate pole is 40 feet. This option is available in all pole styles. Contact our sales department on the size and shape required.

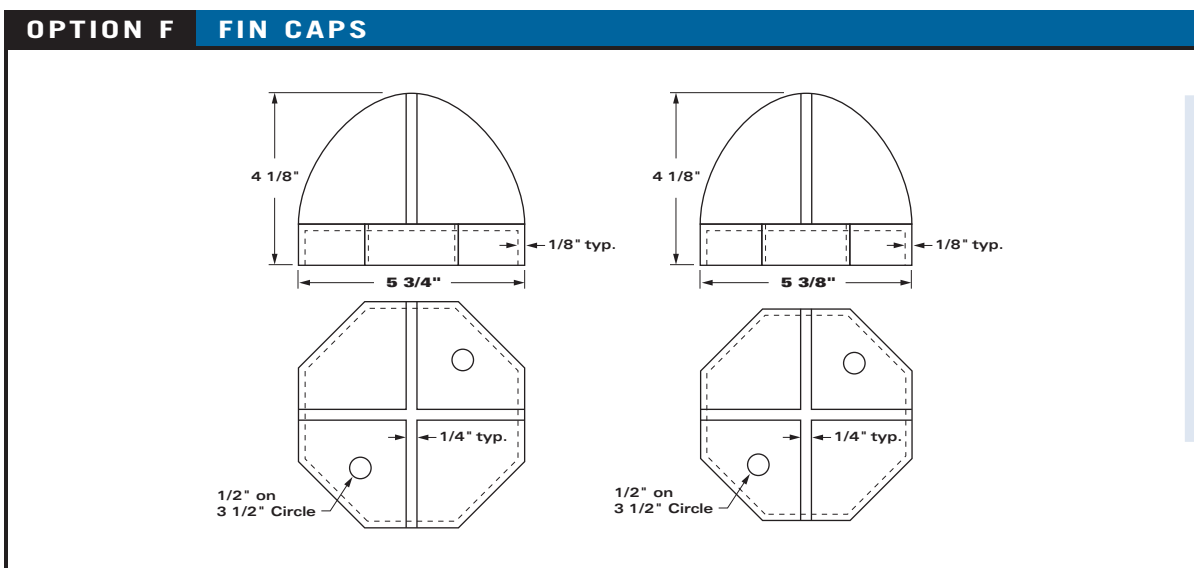


61 BONGARD AVENUE, NEPEAN, ONTARIO CANADA K2E 6V2 • TEL: [613] 225-6398 • FAX: [613] 225-1681 • TOLL FREE: 1-800-267-6466  
[www.utilitystructures.com](http://www.utilitystructures.com)

# OPTIONS & ACCESSORIES



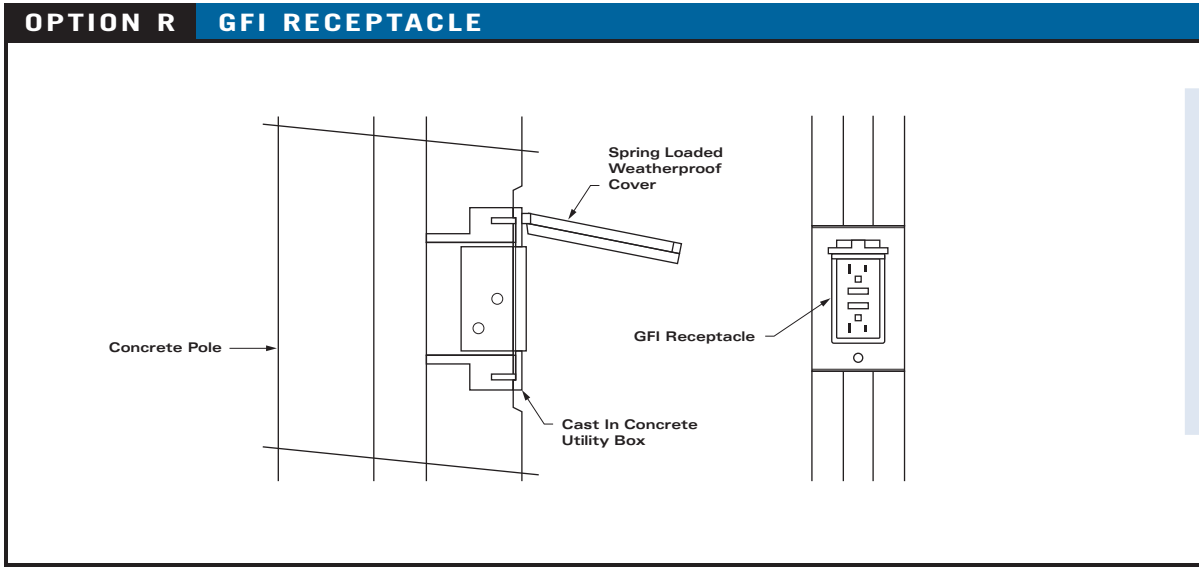
Galvanized steel or aluminum base shrouds are used to cover the base plate and anchor bolts. Available in various sizes or shapes (ie. square, round or octagonal) base shrouds compliment the pole and offer a protective barrier. Base shrouds can be painted to compliment the pole finish.



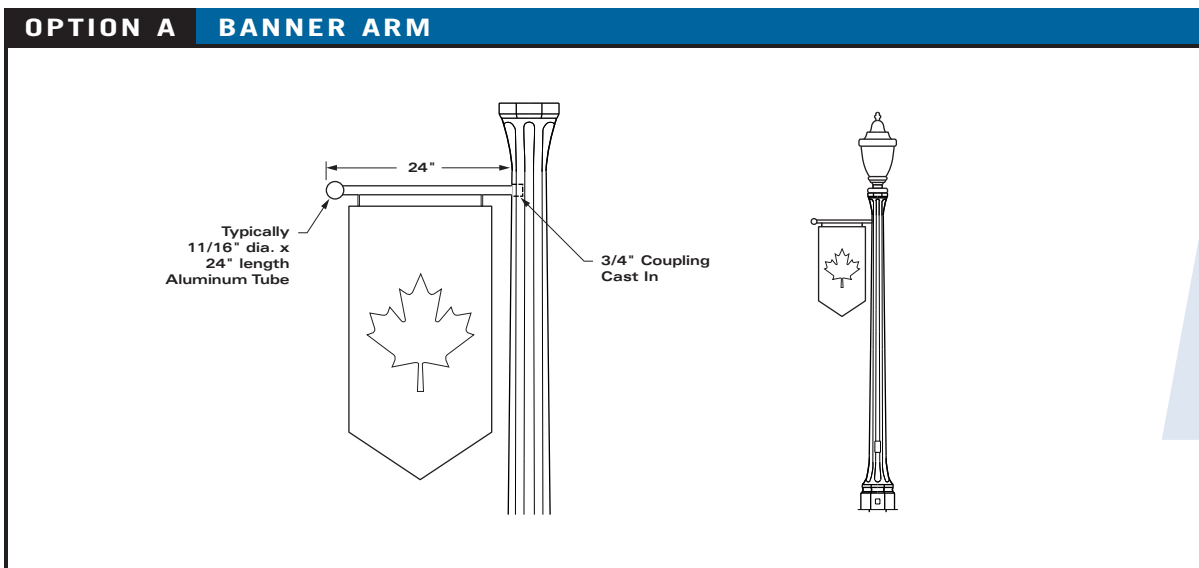
Cast aluminum fin caps provide a decorative finish to the top section of the pole. They are only available for the octagonal cross section poles (ie. CAMBRIDGE, MADISON, PARKDALE, and WESTMOUNT). They can be color matched to any pole and are available in two sizes.



# OPTIONS & ACCESSORIES



Duplex electrical receptacles are an effective option to provide power plugs. The weatherproof cover can be painted to match all poles. GFI (Ground Fault Interrupter) receptacles come standard 15 amp, 120v.



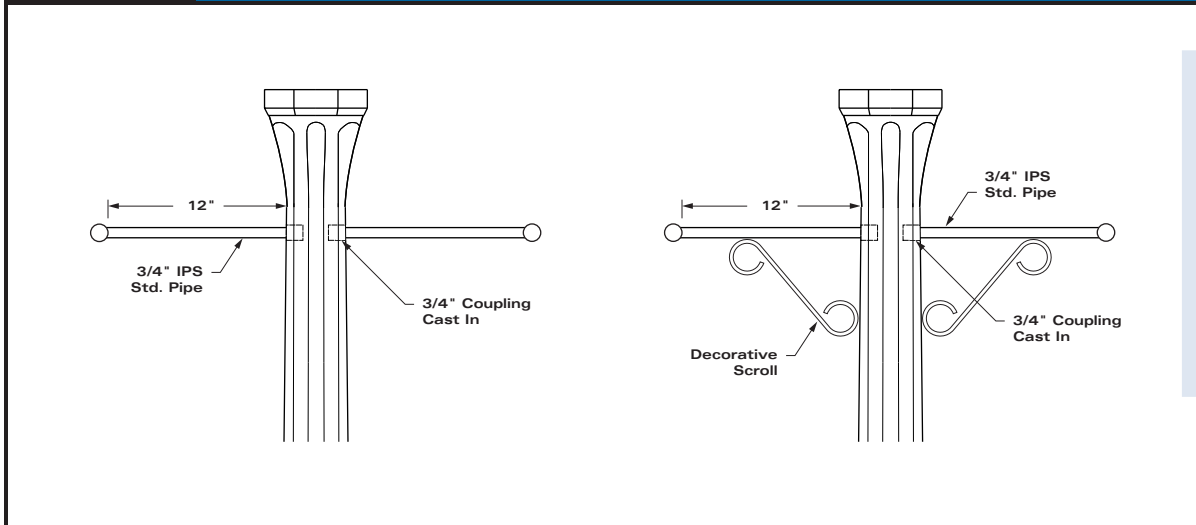
To identify a city, an event, or just a plain flag, banner arms are effective and decorative. They can be color matched to any pole and are available in various sizes or styles. Consult our sales department for details.



61 BONGARD AVENUE, NEPEAN, ONTARIO CANADA K2E 6V2 • TEL: [613] 225-6398 • FAX: [613] 225-1681 • TOLL FREE: 1-800-267-6466  
[www.utilitystructures.com](http://www.utilitystructures.com)

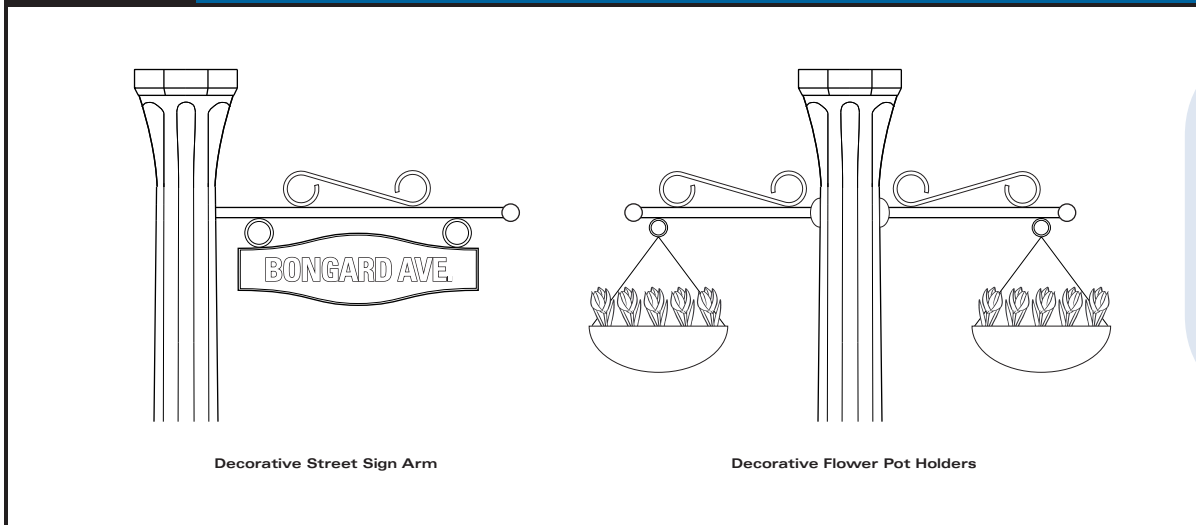
# OPTIONS & ACCESSORIES

## OPTION L LADDER REST



Decorative ladder rests provide a unique feature, which enable easy access to the pole fixture. Pictured above are a few typical styles. Please contact our sales department to specify color and style required.

## OPTION C CUSTOM ACCESSORIES



We have the flexibility to incorporate any accessory required. If you require something not shown, please contact our sales department. Above are some sample custom accessories.



