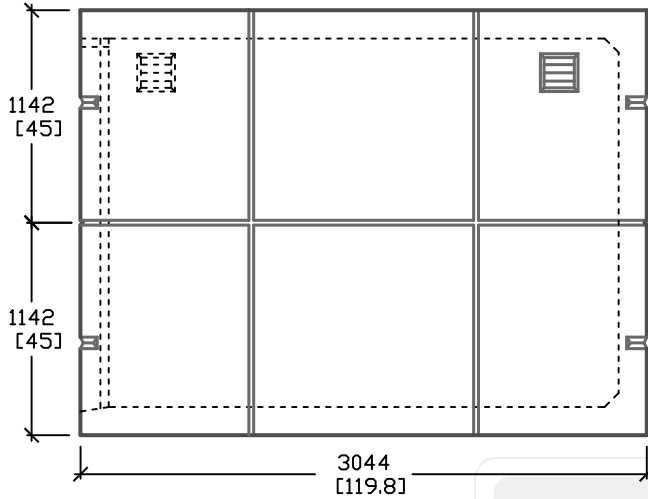
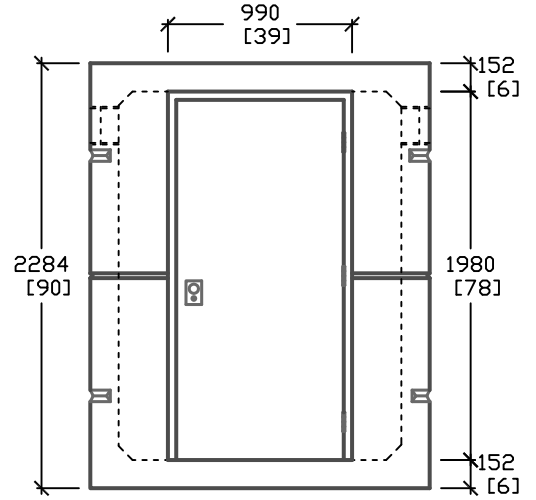


GENERAL NOTES

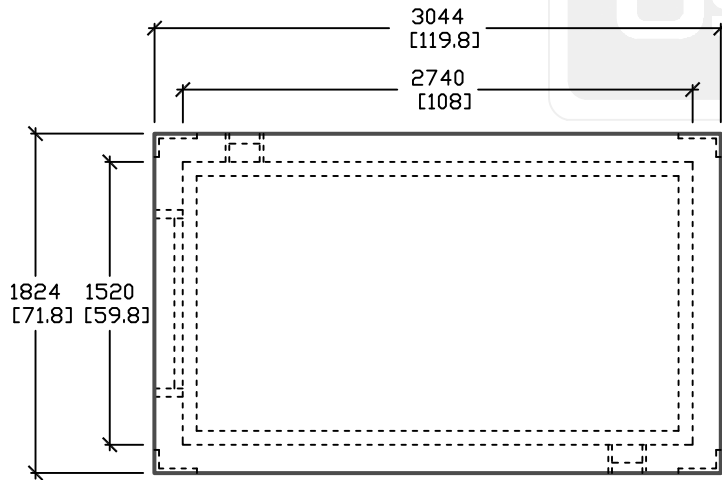
- AVAILABLE IN VARIOUS COLORS & FINISHES
- CAN BE PAINTED OR SEALED WITH ANTI-GRAFFITI
- ALL CORNERS CHAMFERED
- STEEL REINFORCED 152mm [6"] WALLS
- 1981mm [78"] OF HEADROOM
- TWO [8"x8"] ALUMINUM LOUVER VENTS
- C/W NON REMOVABLE PIN (NRP) HINGES
- COMMERCIAL KEYED DEAD BOLT
- CORROSION-RESISTANT SINGLE DOOR
- DOOR OPENING SIZE: 33"(W) x 74"(H)



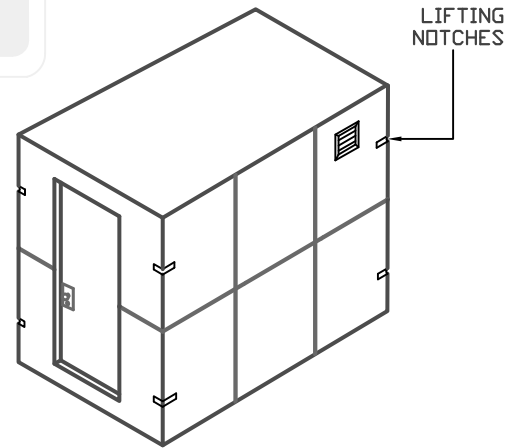
SIDE ELEVATION



FRONT VIEW



PLAN VIEW



ISOMETRIC VIEW

ALL DIMENSIONS DEFAULT TO MILLIMETERS

mm [in.]



61 BONGARD AVE
OTTAWA, ON,
PH: 800.267.6466
FAX: 613.225.1681

www.utilitystructures.com

NOTES:

*SEE GENERAL NOTES

*CSA 23.4-05
35MPa (5000psi) AT 28 DAYS
6-8% AIR ENTRAINED

REV.#	MM/DD/YYYY	PREP.
1	SEP/15/2008	LRW
2	FEB/24/2009	LRW

E-71

5'x9' CONCRETE STORAGE SHED

WEIGHT = 9500kg/20943lbs

1520mm x 2740mm [I.D.]