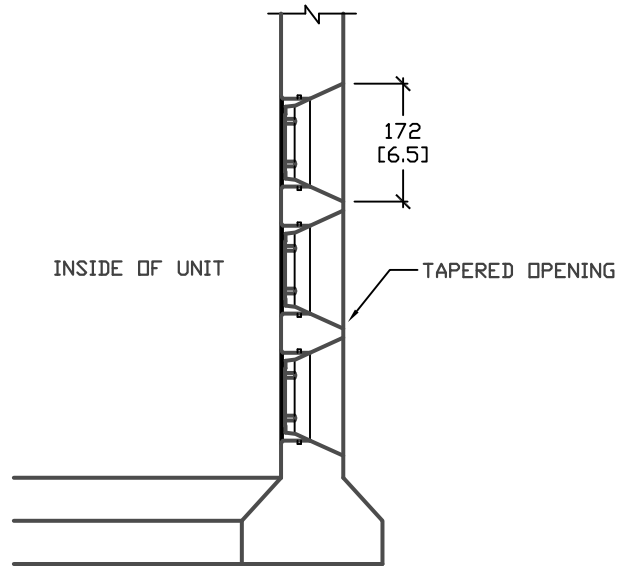
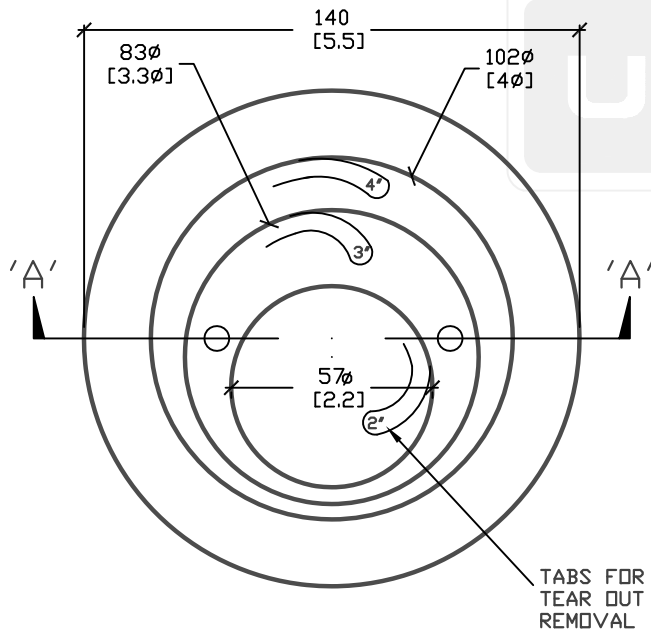


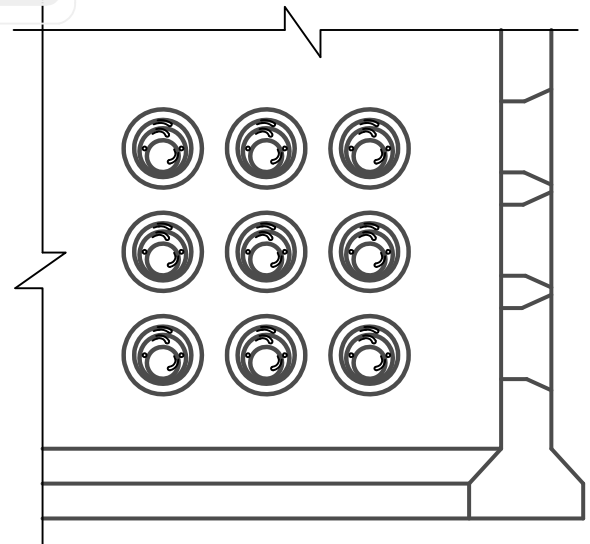
CROSS SECTION 'A'



INSTALLED PROFILE



PLAN VIEW



SYSTEM INSTALLED

ALL DIMENSIONS DEFAULT TO MILLIMETERS

mm
[in.]



61 BONGARD AVE
OTTAWA, ON,
PH: 800.267.6466
FAX: 613.225.1681

www.utilitystructures.com

NOTES:

MATERIALS: PLASTIC (LLD PE)
FOR 2", 3", & 4" SDR-35 OR SCHD-40
POLY PIPE SEAL
POLY LOK SHOWN AS INSTALLED ON
A E-1 BASE

REV.#	MM/DD/YYYY	PREP.
1	SEP/16/2008	LRW
2	FEB/24/2009	LRW

POLYLOK
DUCT TERMINATOR

WEIGHT = N/A

127mm dia.