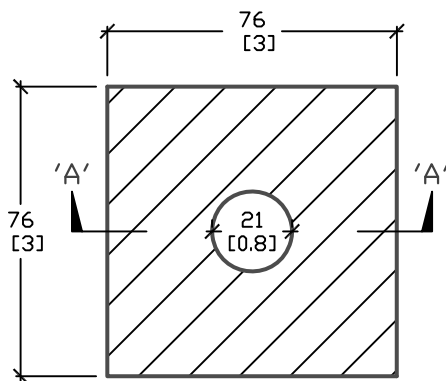
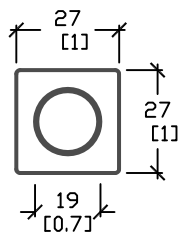


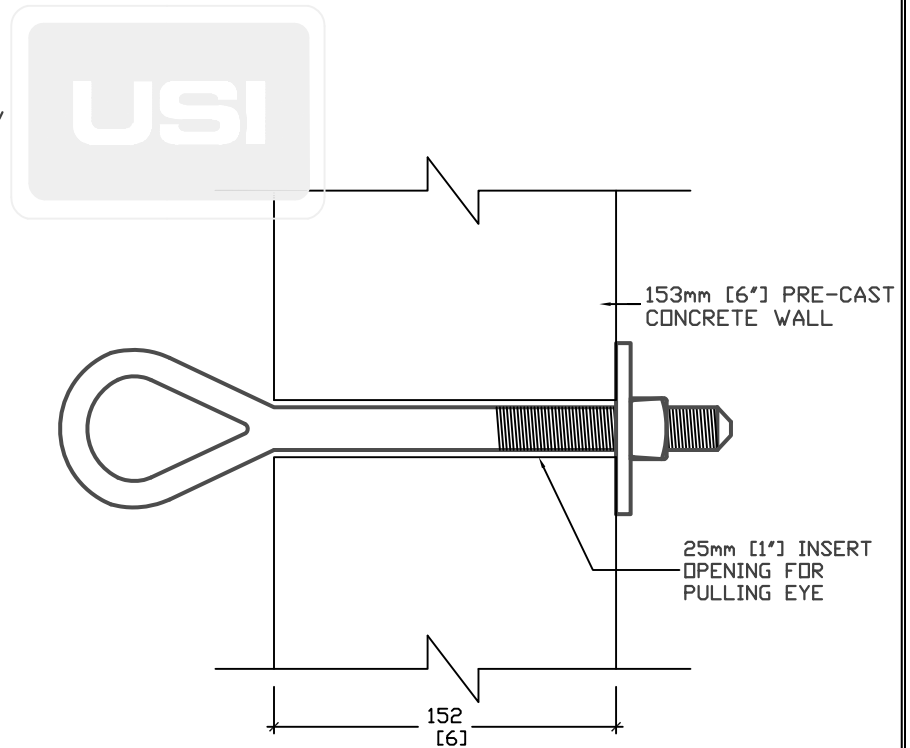
**PULLING EYE  
PLAN VIEW**



**WASHER  
PLAN VIEW**  
THICK = 6mm [0.25"]



**NUT  
PLAN VIEW**



**PULLING EYE  
APPLICATION**

ALL DIMENSIONS DEFAULT TO MILLIMETERS

mm  
[in.]



61 BONGARD AVE  
OTTAWA, ON,  
PH: 800.267.6466  
FAX: 613.225.1681

www.utilitystructures.com

**NOTES:**

HOT DIPPED GALVANIZED STEEL  
MIN. BREAKING STRENGTH = 20,050lbs  
STANDARD 8" LONG  
AVAILABLE IN DIFFERENT LENGTHS

REV.#	MM/DD/YYYY	PREP.
2	SEP/16/2008	LRW
3	MAR/02/2009	LRW

**PULLING EYE**  
OVAL EYE BOLT

WEIGHT = N/A

**19mm dia. x 200mm(L)**