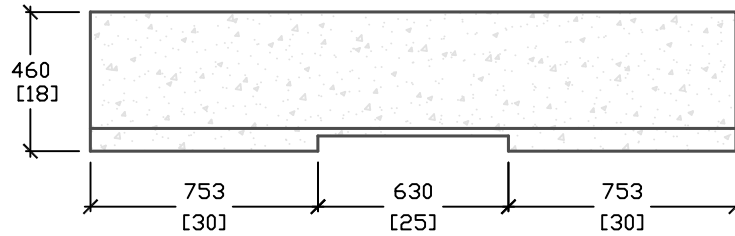
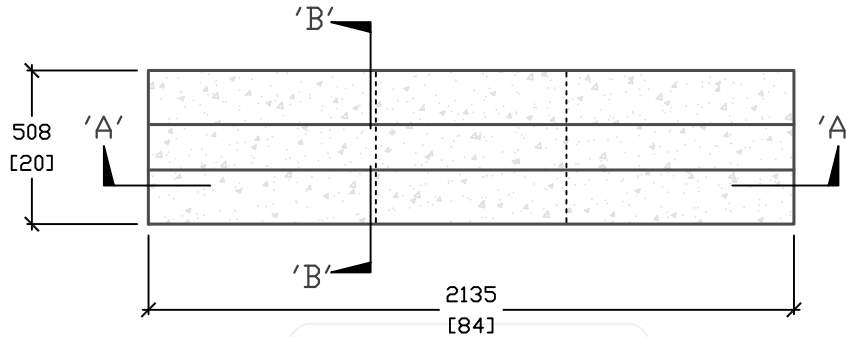


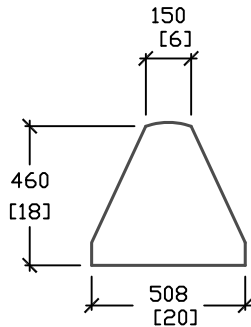
✱ AVAILABLE IN ANY LENGTH ✱



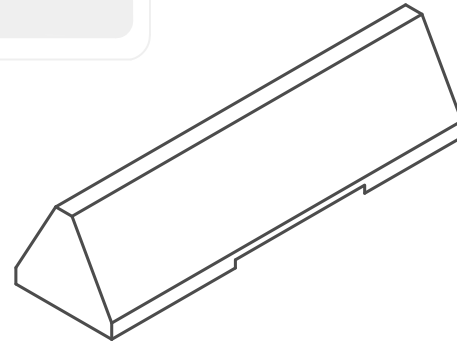
**CROSS SECTION 'A'**



**PLAN VIEW**



**CROSS SECTION 'B'**



**ISOMETRIC VIEW**

ALL DIMENSIONS DEFAULT TO MILLIMETERS

mm  
[in.]



61 BONGARD AVE  
OTTAWA, ON,  
PH: 800.267.6466  
FAX: 613.225.1681

www.utilitystructures.com

**NOTES:**  
AVAILABLE IN VARIOUS  
LENGTHS, COLOURS, AND FINISHES  
HOOK AND EYE CONNECTION AVAILABLE

\*CSA 23.4-05  
35MPa (5000psi) AT 28 DAYS  
5-8% AIR ENTRAINED

REV.#	MM/DD/YYYY	PREP.
1	DEC/20/2008	EG

**E-40 (7')**

7' MINI BARRIER  
WITH NO CONNECTIONS

WEIGHT = 800kg/1800lbs

**460mm(H) x 2135mm(L)**