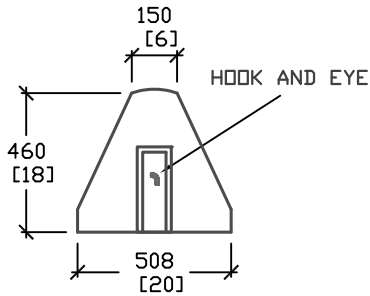
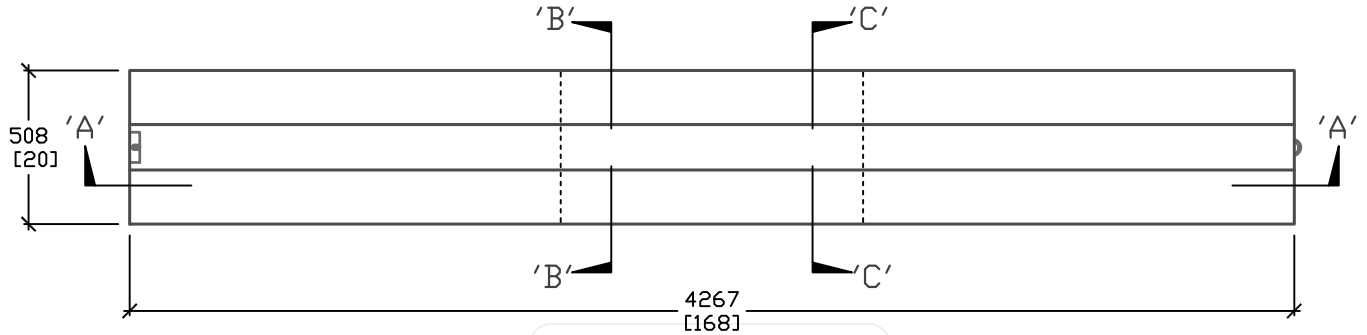
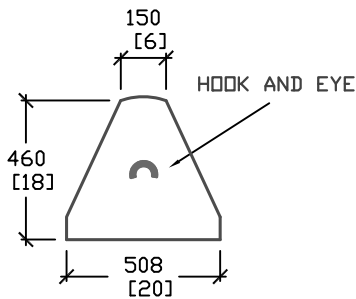


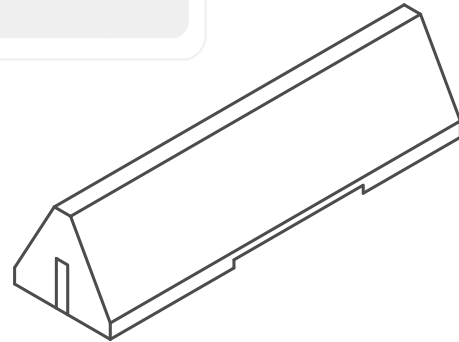
CROSS SECTION 'A'



CROSS SECTION 'B'



CROSS SECTION 'C'



ISOMETRIC VIEW

* AVAILABLE IN *
ANY LENGTH

ALL DIMENSIONS DEFAULT TO MILLIMETERS

mm
[in.]



61 BONGARD AVE
OTTAWA, ON,
PH: 800.267.6466
FAX: 613.225.1681

www.utilitystructures.com

NOTES:
AVAILABLE IN VARIOUS
LENGTHS, COLOURS, AND FINISHES
HOOK AND EYE OPTIONAL

*CSA 23.4-05
35MPa (5000psi) AT 28 DAYS
6-8% AIR ENTRAINED

REV.#	MM/DD/YYYY	PREP.
1	AUG/06/2008	LRW
2	MAR/01/2009	LRW

E-40
MINI BARRIER

WEIGHT = 1600kg/3520lbs

460mm(H) x 4267mm(L)