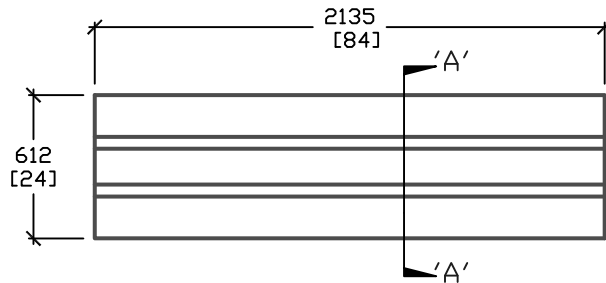
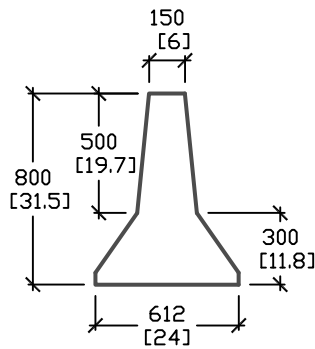


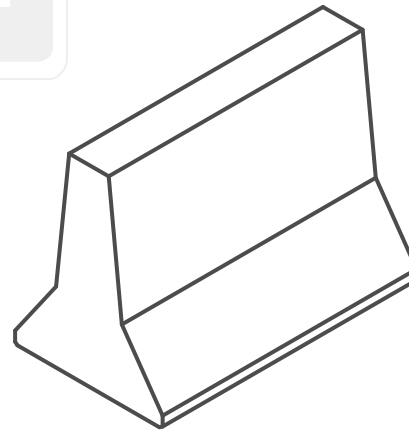
**ELEVATION**



**PLAN VIEW**



**CROSS SECTION 'A'**



**ISOMETRIC**

ALL DIMENSIONS DEFAULT TO MILLIMETERS

mm  
[in.]



61 BONGARD AVE  
OTTAWA, ON,  
PH: 800.267.6466  
FAX: 613.225.1681

www.utilitystructures.com

**NOTES:**

AVAILABLE IN VARIOUS LENGTHS

\*CSA 23.4-05  
35MPa (5000psi) AT 28 DAYS  
6-8% AIR ENTRAINED

REV.#	MM/DD/YYYY	PREP.
1	SEP/15/2008	LRW
2	MAR/01/2009	LRW

**E-41(7')**

7' BARRIER

WEIGHT = 1211kg/2670lbs

**800mm(H) x 2135mm(L)**