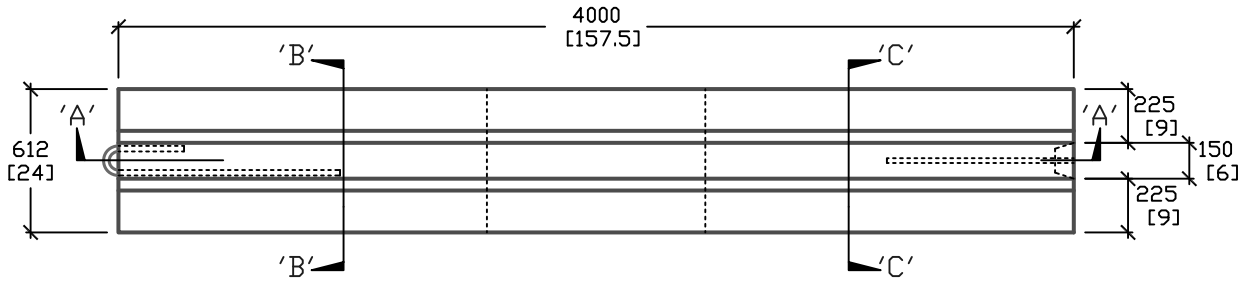
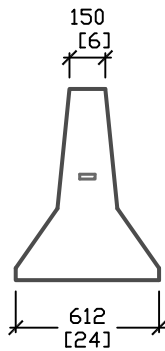


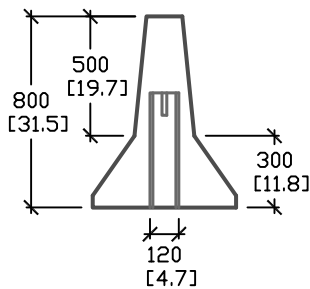
**CROSS SECTION 'A'**



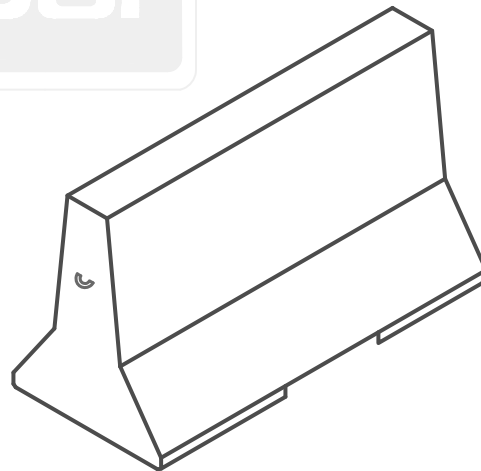
**PLAN VIEW**



**CROSS SECTION 'B'**



**CROSS SECTION 'C'**



**ISOMETRIC**

ALL DIMENSIONS DEFAULT TO MILLIMETERS

mm  
[in.]



61 BONGARD AVE  
OTTAWA, ON,  
PH: 800.267.6466  
FAX: 613.225.1681

www.utilitystructures.com

**NOTES:**

HOOK & EYE CONNECTION IS OPTIONAL

\*CSA 23.4-05  
35MPa (5000psi) AT 28 DAYS  
6-8% AIR ENTRAINED

REV.#	MM/DD/YYYY	PREP.
2	OCT/29/2008	LRW
3	MAR/01/2009	LRW

**E-41**

HOOK & EYE BARRIER

WEIGHT = 2268kg/5000lbs

**800mm(H) x 4000mm(L)**