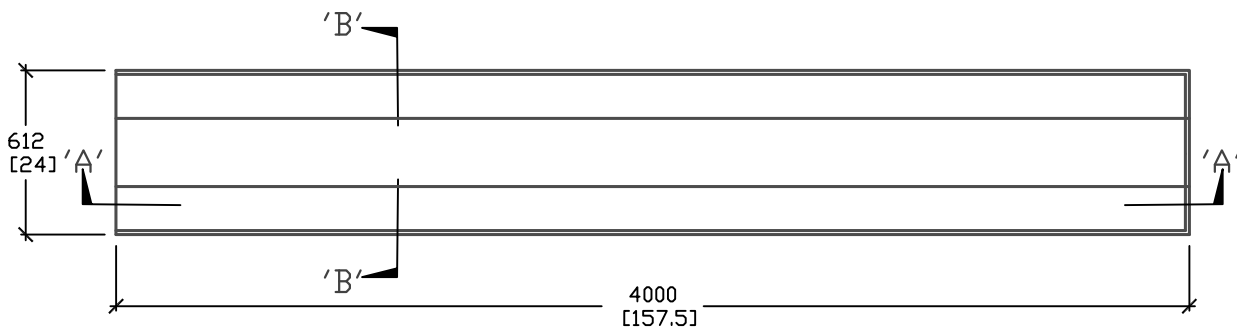
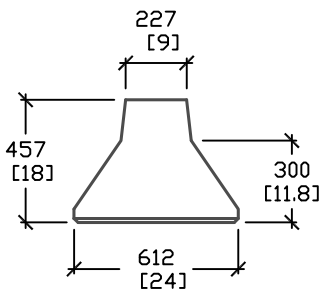


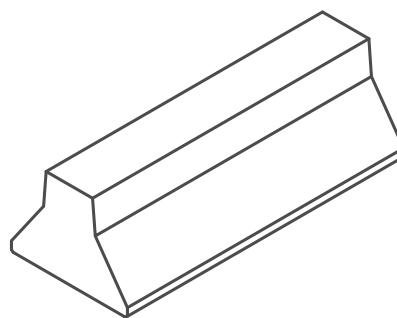
**CROSS SECTION 'A'**



**PLAN VIEW**



**CROSS SECTION 'B'**



**ISOMETRIC**

ALL DIMENSIONS DEFAULT TO MILLIMETERS

mm  
[in.]



61 BONGARD AVE  
OTTAWA, ON,  
PH: 800.267.6466  
FAX: 613.225.1681

www.utilitystructures.com

**NOTES:**

FLAT TOP SECTION  
USES: PARKING LOTS  
TO SUPPORT POLES

\*CSA 23.4-05  
35MPa (5000psi) AT 28 DAYS  
6-8% AIR ENTRAINED

REV.#	MM/DD/YYYY	PREP.
1	SEP/12/2008	LRW
2	MAR/01/2009	LRW

**E-41LP**  
LOW PROFILE BARRIER

WEIGHT = 1678kg/3700lbs

**457mm(H) x 4000mm(L)**