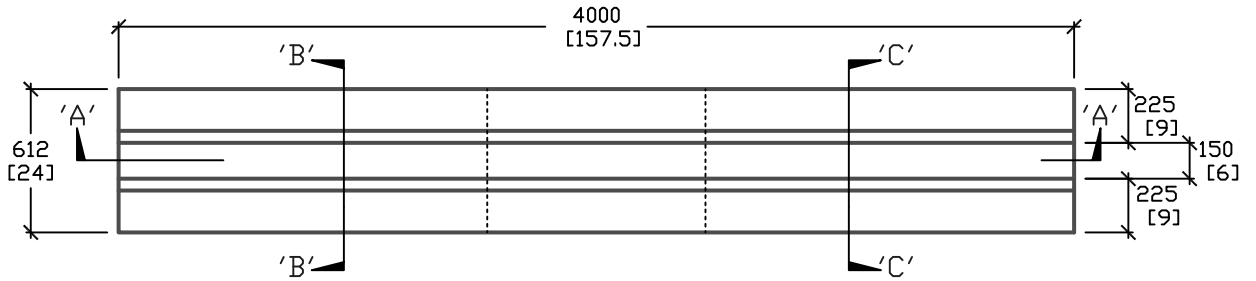
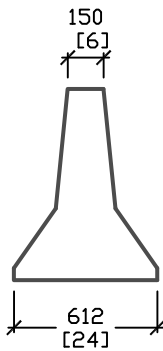


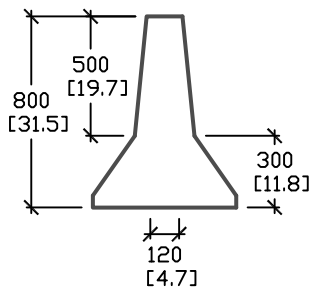
CROSS SECTION 'A'



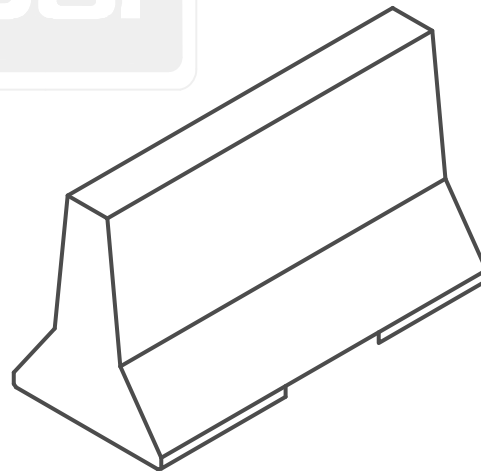
PLAN VIEW



CROSS SECTION 'B'



CROSS SECTION 'C'



ISOMETRIC

ALL DIMENSIONS DEFAULT TO MILLIMETERS

mm
[in.]



61 BONGARD AVE
OTTAWA, ON,
PH: 800.267.6466
FAX: 613.225.1681

www.utilitystructures.com

NOTES:

HOOK & EYE CONNECTION
IS AVAILABLE

*CSA 23.4-05
35MPa (5000psi) AT 28 DAYS
5-8% AIR ENTRAINED

REV.#	MM/DD/YYYY	PREP.
3	MAR/01/2009	LRW
4	DEC/02/2011	EG

E-41-NC

SECURITY BARRIER
WITH NO CONNECTIONS

WEIGHT = 2268kg/5000lbs

800mm(H) x 4000mm(L)