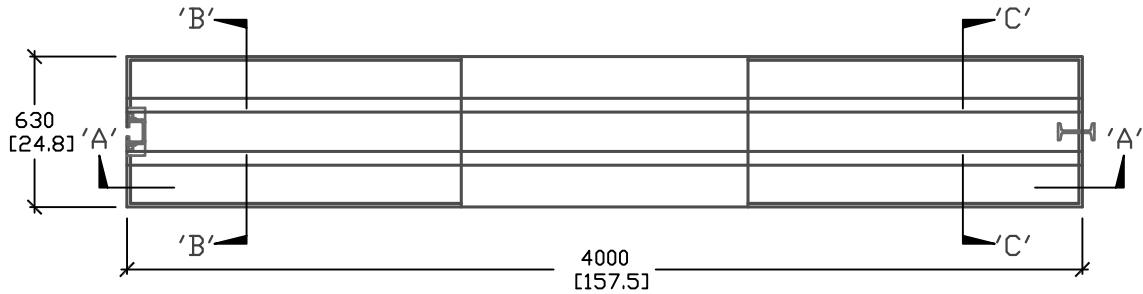
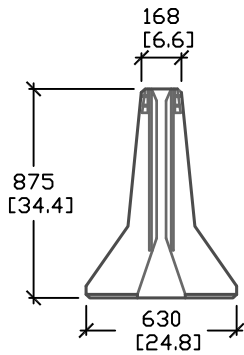


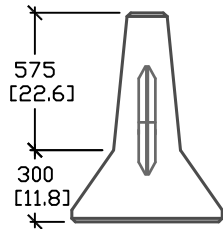
CROSS SECTION 'A'



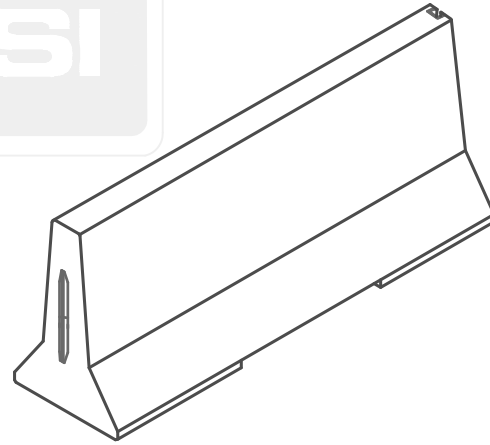
PLAN VIEW



CROSS SECTION 'B'



CROSS SECTION 'C'



ISOMETRIC VIEW

ALL DIMENSIONS DEFAULT TO MILLIMETERS

mm
[in.]



61 BONGARD AVE
OTTAWA, ON,
PH: 800.267.6466
FAX: 613.225.1681

www.utilitystructures.com

NOTES:

AS PER O.P.S.D. 911.14

*CSA 23.4-05
35MPa (5000psi) AT 28 DAYS
6-8% AIR ENTRAINED

| REV.# | MM/DD/YYYY | PREP. |
|-------|-------------|-------|
| 1 | SEP/11/2008 | LRW |
| 2 | MAR/01/2009 | LRW |

E-45

STANDARD I-LOCK BARRIER

WEIGHT = 2500kg/5500lbs

875mm(H) x 4000mm(L)