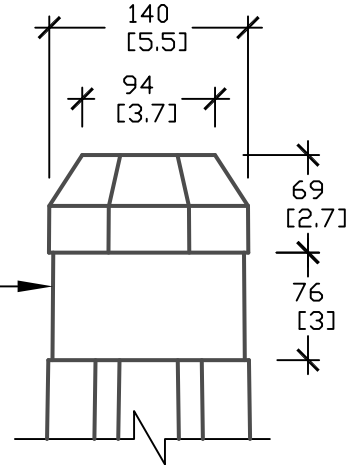
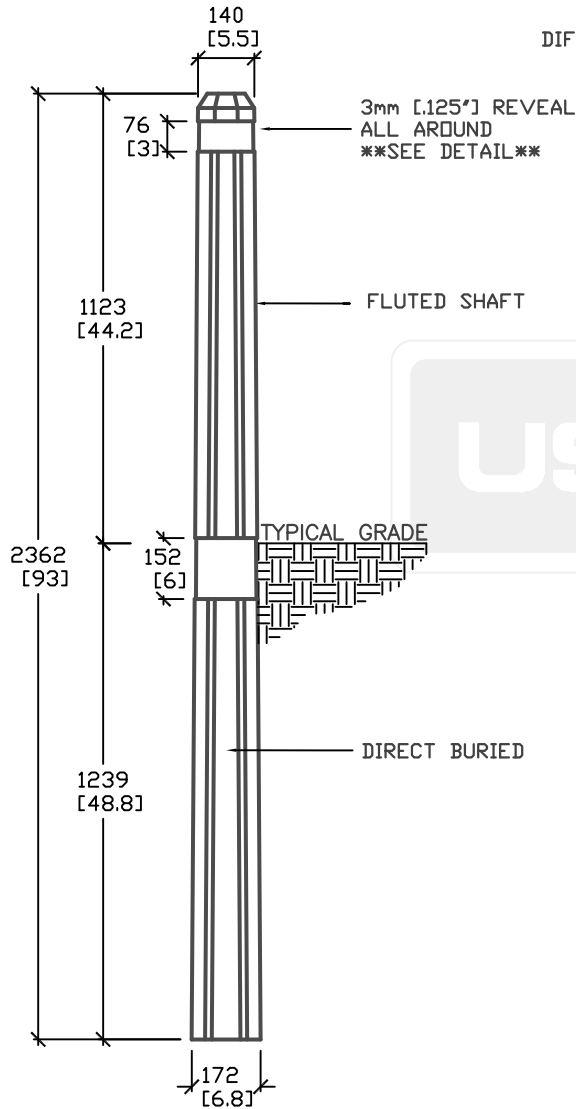


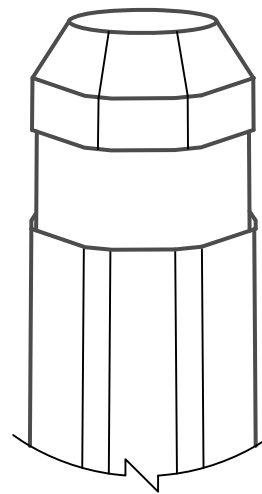
**PLAN VIEW**



**DETAIL**



**ELEVATION**



**ISOMETRIC**

ALL DIMENSIONS DEFAULT TO MILLIMETERS

mm [in.]



61 BONGARD AVE  
OTTAWA, ON,  
PH: 800.267.6466  
FAX: 613.225.1681

www.utilitystructures.com

**NOTES:**

AVAILABLE IN VARIOUS COLOURS AND FINISHES

\*CSA 23.4-05  
35MPa (5000psi) AT 28 DAYS  
6-8% AIR ENTRAINED

REV.#	MM/DD/YYYY	PREP.
1	SEP/12/2008	LRW
2	MAR/02/2009	LRW

**E-92T**

FLUTED PROTECTIVE BOLLARD

WEIGHT = 145kg/320lbs

**2.4m(H) X 140mm dia.**