

GR



THE GRANDVIEW SERIES

OF CONCRETE POLES



UTILITY STRUCTURES INC.

GRANDVIEW SERIES

PHYSICAL DETAILS

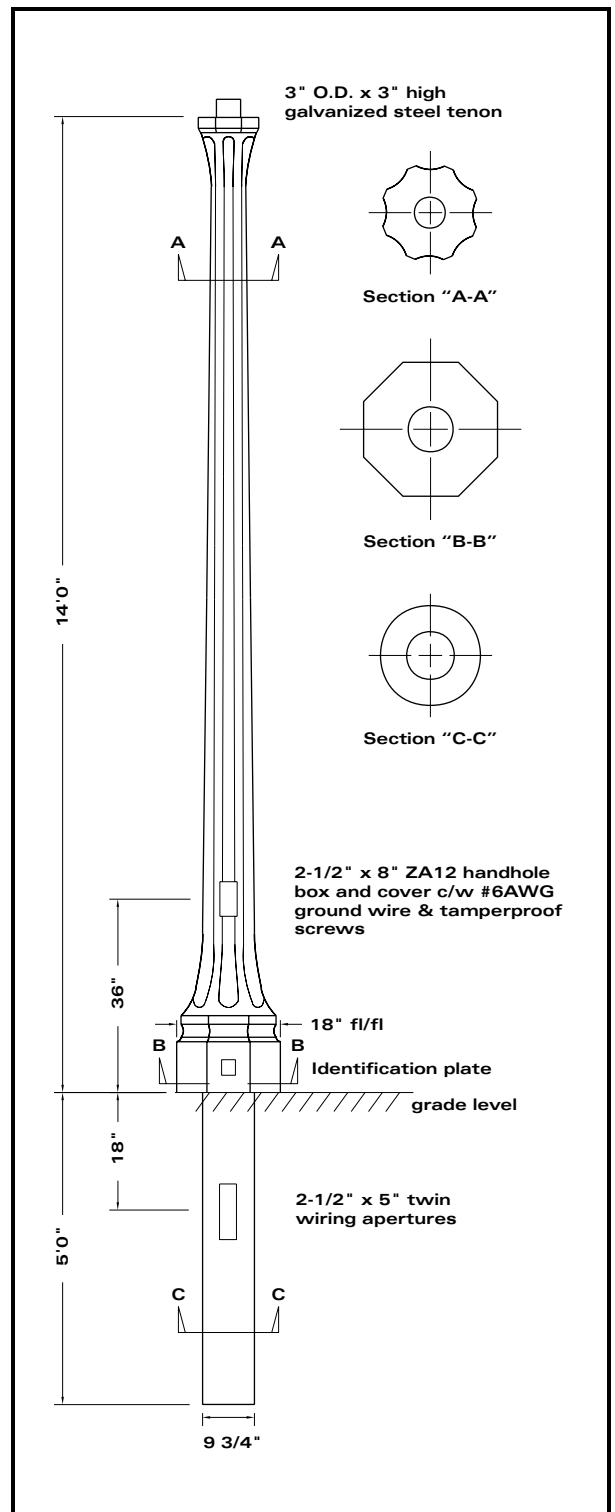
- Octagonal fluted symmetrical cross section.
- Standard taper of 9.5mm/metre (0.114"/foot).
- Standard mold, etched or exposed finishes are available in a variety of colours.
- Available in heights from 10 feet to 14 feet above grade.
- Will accept a variety of luminaire mounting styles.

STANDARD FEATURES

- Pole adapts to fit most fixtures and accessories. Refer to the fixture mount options section for typical details.
- 2 1/2" x 8" standard handhole box is cast into pole at 36" above grade. Box and coverplate are both high density ZA12 Zinc Alloy material.
- Stainless steel coverplate screws with various drives in either Robertson #3, Allen key, or Tamperproof.
- Ground feature of either an external ground lug or an internal copper ground wire. Various sizes/gauges are available.
- Zinc inserts in 1/4", 3/8", 1/2", 5/8" or 3/4" are available.
- Above and below grade wiring apertures are available in a number or various sizes. 1 1/2" x 3" is typical for above grade, and 2 1/2" x 5" is typical for below grade.
- Through holes for arms, fixtures, and accessories are available in a variety of diameters. 1/2", 3/4" and 1" are typical.

INSTALLATION DETAILS

- Pole is generally directly buried in the ground, eliminating the need for the more costly base mounted design.
- A galvanized steel base plate is optional. Refer to our options and accessories section for details regarding this option.
- Burial depth of poles is a standard 5' 0".
- In most cases the native material can be used for backfill material. If the soil is poor or there are heavy loads on the poles, select backfill may be required. Refer to the technical data sheets.



GRANDVIEW SERIES

| CLASS OF POLE | POLE CATALOGUE NUMBER | POLE HEIGHT ABOVE GRADE [ft.] | POLE TIP DIMENSION [in.] | POLE BUTT DIAMETER [in.] | ULTIMATE GROUND LINE MOMENT [ft.lbs.] | NOMINAL POLE WEIGHT [lbs.] |
|---------------|-----------------------|-------------------------------|--------------------------|--------------------------|---------------------------------------|----------------------------|
| A | GR-150-A-3-ML-30 | 10 | 6 1/4 | 9 3/4 | 4800 | 1030 |
| | GR-160-A-3-ML-30 | 11 | 6 | 9 3/4 | 5400 | 1065 |
| | GR-170-A-3-ML-30 | 12 | 5 3/4 | 9 3/4 | 6000 | 1100 |
| | GR-180-A-3-ML-30 | 13 | 5 5/8 | 9 3/4 | 6600 | 1135 |
| | GR-190-A-3-ML-30 | 14 | 9 1/4 | 9 3/4 | 7200 | 1170 |

NOTES: This chart outlines typical heights and class of poles for this style. Other sizes are available upon request. Pole height above grade based on recommended burial depth for normal soils. Ultimate ground line moment is calculated as follows: Height above grade minus 2 ft. times transverse bending strength. Only the 14" above grade height of pole is available with the flared top.

| CODE | DESCRIPTION OF OPTIONS |
|----------|--|
| B | Base Mount - galvanized steel base plate mount |
| S | Base Shroud - steel or aluminum base plate cover |
| F | Fin Cap - cast aluminum color matched four fin cap |
| R | GFI Receptacle - GFI receptacle and waterproof cover |
| A | Banner Arm - color matched aluminum banner arm |
| L | Ladder Rest - color matched aluminum ladder rest |
| C | Custom Accessory - call representative for your specific needs |

| CODE | DESCRIPTION OF COLOR |
|-----------|----------------------|
| AJ | Aztec Jade |
| BE | Black Eclipse |
| DB | Dark Bronze |
| DS | Desert Sand |
| ML | Midnight Lace |
| OJ | Oriental Jade |
| SB | Seluki Bronze |

DIRECT EMBEDMENT

Direct Burial

1. Auger the appropriate size hole.
2. Set pole in hole and plumb straight.
3. Backfill with specified material, tamping every 6".

Note: Generally the native material can be used for backfill. Depending on site conditions, alternative materials may be required.

BASE MOUNTED - OPTION B

Anchor base

- Hot dipped galvanized steel baseplate 20" x 20" x 1"
- Opening for internal wiring
- Slotted openings on a 21" diameter bolt circle
- Decorative acorn nuts
- Anchor bolts 3/4" diameter x 36" long (Grade 300)
- Precast or poured in place pole base

| CODE | DESCRIPTION |
|-----------|------------------------------------|
| 30 | Steel tenon post top |
| 90 | Custom mount - as per client needs |

| CODE | DESCRIPTION |
|----------|----------------------------|
| 1 | Mold finish |
| 3 | Etched and acrylic applied |
| 4 | Exposed aggregate |

TYPICAL CATALOGUE NUMBER





THE GRANDVIEW SERIES

OF CONCRETE POLES



UTILITY STRUCTURES INC.

61 BONGARD AVENUE, OTTAWA, ONTARIO CANADA K2E 6V2
TEL: [613] 225-6398 • FAX: [613] 225-1681 • TOLL FREE: 1-800-267-6466
www.utilitystructures.com