

WE



THE WESTMOUNT SERIES

OF CONCRETE POLES



UTILITY STRUCTURES INC.

WESTMOUNT SERIES

PHYSICAL DETAILS

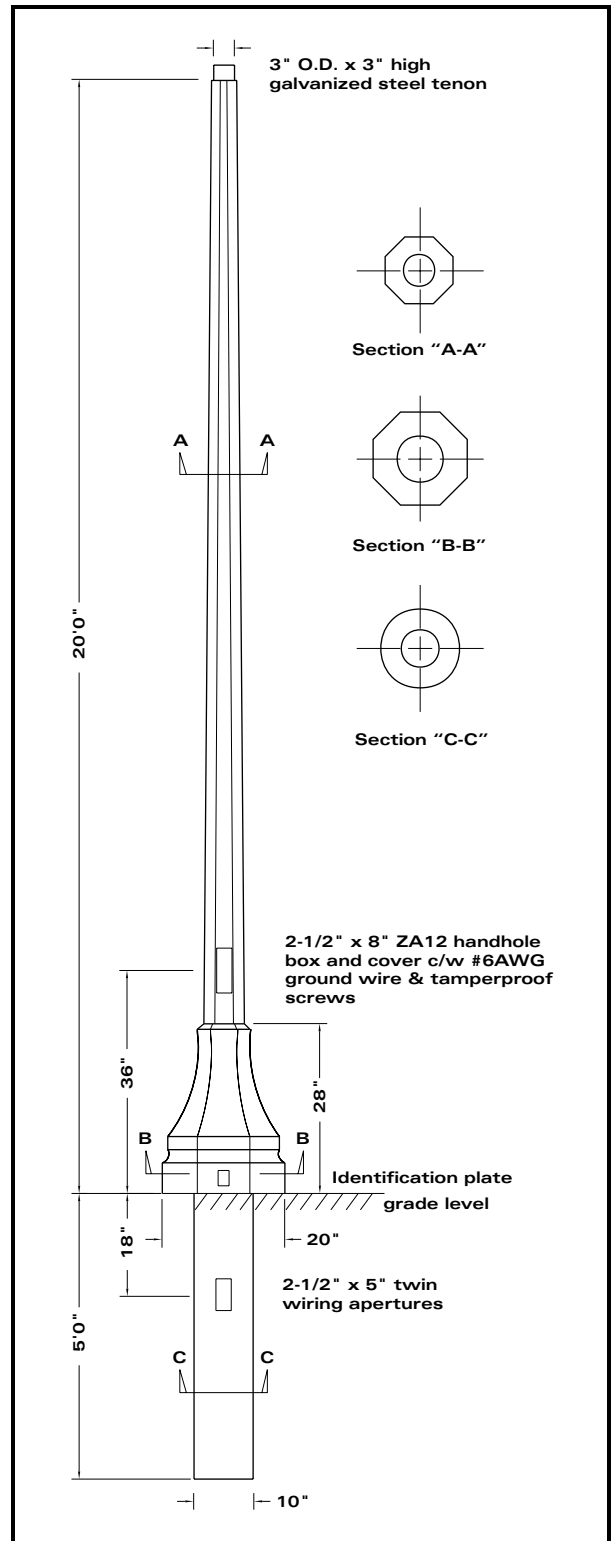
- Flared base, tapered octagonal symmetrical cross section.
- Standard taper of 13mm/metre (0.155"/foot).
- Standard mold, etched, exposed or polished finishes are available in a variety of colors.
- Available in heights from 14 feet to 23 feet above grade.
- Will accept a variety of luminaire mounting styles.

STANDARD FEATURES

- Pole adapts to fit most fixtures and accessories. Refer to the fixture mount options section for typical details.
- 2 1/2" x 8" standard handhole box is cast into pole at 36" above grade. Box and coverplate are both high density ZA12 Zinc Alloy material.
- Stainless steel coverplate screws with various drives in either Robertson #3, Allen key, or Tamperproof.
- Ground feature of either an external ground lug or an internal copper ground wire. Various sizes/gauges are available.
- Zinc inserts in 1/4", 3/8", 1/2", 5/8" or 3/4" are available.
- Above and below grade wiring apertures are available in a number or various sizes. 1 1/2" x 3" is typical for above grade, and 2 1/2" x 5" is typical for below grade.
- Through holes for arms, fixtures, and accessories are available in a variety of diameters. 1/2", 3/4" and 1" are typical.

INSTALLATION DETAILS

- Pole is generally directly buried in the ground, eliminating the need for the more costly base mounted design.
- A galvanized steel base plate is optional. Refer our options and accessories section for details regarding this option.
- Burial depth of poles is a standard 5' 0".
- In most cases the native material can be used for backfill material. If the soil is poor or there are heavy loads on the poles, select backfill may be required. Refer to the technical data sheets.



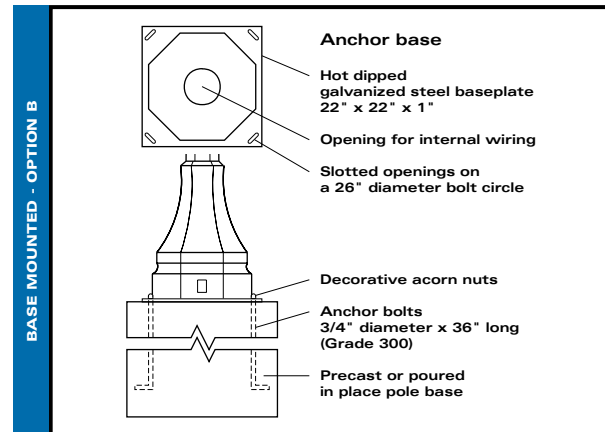
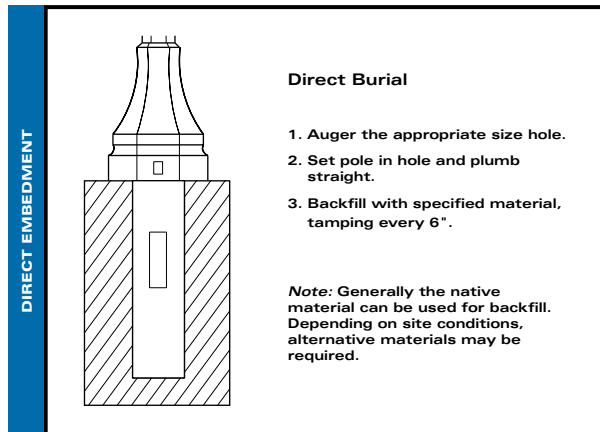
WESTMOUNT SERIES

CLASS OF POLE	POLE CATALOGUE NUMBER	POLE HEIGHT ABOVE GRADE (ft.)	POLE TIP DIMENSION (in.)	POLE BUTT DIAMETER (in.)	ULTIMATE GROUND LINE MOMENT (ft.lbs.)	NOMINAL POLE WEIGHT (lbs.)
A	WE-190-A-2-SB-30	14	5 3/8	10	7200	1200
	WE-200-A-2-SB-30	15	5 1/4	10	7800	1270
	WE-210-A-2-SB-30	16	5 1/16	10	8400	1335
	WE-220-A-2-SB-30	17	4 15/16	10	9000	1395
	WE-230-A-2-SB-30	18	4 3/4	10	9600	1450
	WE-240-A-2-SB-30	19	4 5/8	10	10200	1500
	WE-250-A-2-SB-30	20	4 1/2	10	10800	1545
	WE-260-A-2-SB-30	21	4 5/16	10	11400	1585
	WE-270-A-2-SB-30	22	4 1/8	10	12000	1620
WE-280-A-2-SB-30	23	4	4	10	12600	1650

NOTES: This chart outlines typical heights and class of poles for this style. Other sizes are available upon request. Pole height above grade based on standard burial depth of 5' 0" for normal soils. Ultimate ground line moment is calculated as follows: Height above grade minus 2 ft. times transverse bending strength. Tip dimensions are measured from flat to flat.

CODE	DESCRIPTION OF OPTIONS
B	Base Mount - galvanized steel base plate mount
S	Base Shroud - steel or aluminum base plate cover
F	Fin Cap - cast aluminum color matched four fin cap
R	GFI Receptacle - GFI receptacle and waterproof cover
A	Banner Arm - color matched aluminum banner arm
L	Ladder Rest - color matched aluminum ladder rest
C	Custom Accessory - call representative for your specific needs

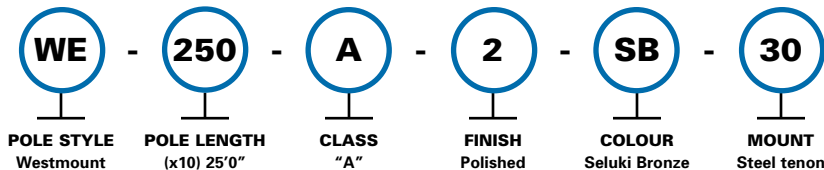
CODE	DESCRIPTION OF COLOR
AJ	Aztec Jade
BE	Black Eclipse
DB	Dark Bronze
DS	Desert Sand
ML	Midnight Lace
OJ	Oriental Jade
SB	Seluki Bronze



CODE	DESCRIPTION
10	Side mounted with through bolts
20	Side mounted with inserts
30	Steel tenon post top
60	Top mounted octagonal concrete tenon
80	Custom mount - as per client needs

CODE	DESCRIPTION
1	Mold finish
2	Polish and acrylic applied
3	Etched and acrylic applied
4	Exposed aggregate

TYPICAL CATALOGUE NUMBER





THE WESTMOUNT SERIES

OF CONCRETE POLES



UTILITY STRUCTURES INC.

61 BONGARD AVENUE, OTTAWA, ONTARIO CANADA K2E 6V2
TEL: [613] 225-6398 • FAX: [613] 225-1681 • TOLL FREE: 1-800-267-6466
www.utilitystructures.com