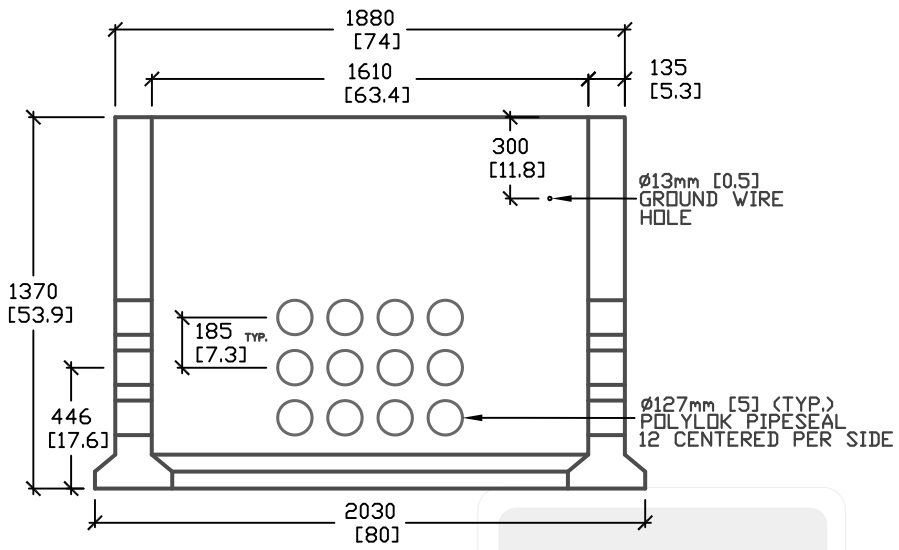
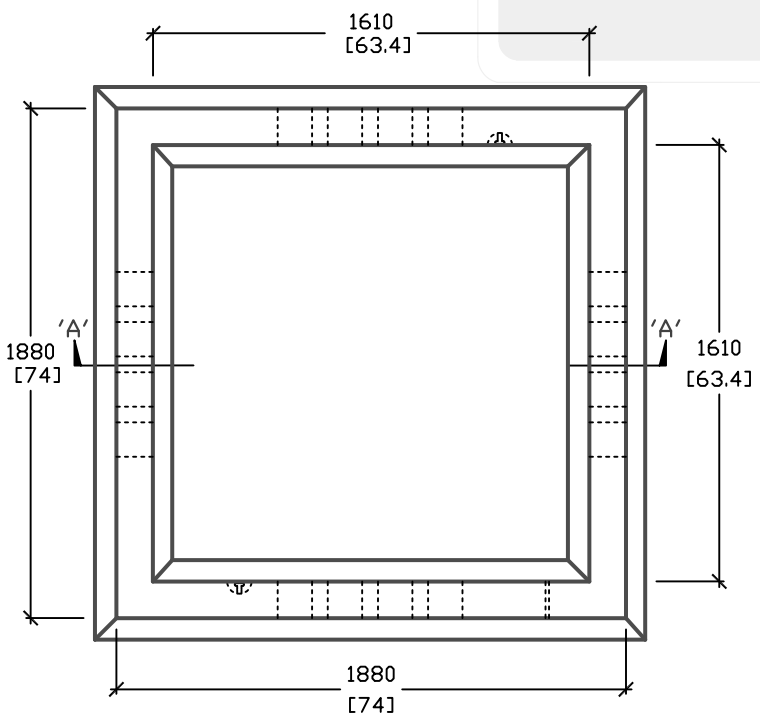


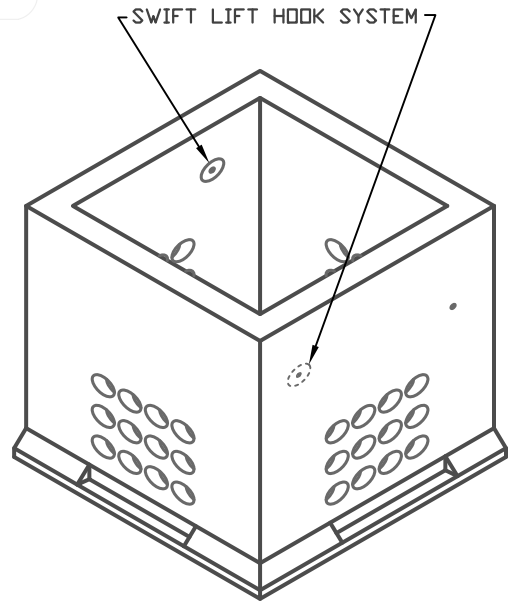
LOAD REQUIREMENTS	
DISTRIBUTED LATERAL LOAD	25kN/m
TOP SLAB DISTRIBUTED LOAD	60kN/m
TOP SLAB POINT LOAD	70kN/m



CROSS SECTION 'A'



PLAN VIEW



ISOMETRIC VIEW

ALL DIMENSIONS DEFAULT TO MILLIMETERS

mm [in.]



61 BONGARD AVE
OTTAWA, ON,
PH: 800.267.6466
FAX: 613.225.1681

www.utilitystructures.com

AS PER HYDRD OTTAWA UCS0001
AS PER HYDRD ONE ED19U-241
150kVA TO 2500kVA
USE WITH PAD E11

*CSA 23.4-05
35MPa (5000psi) AT 28 DAYS
6-8% AIR ENTRAINED

REV.#	MM/DD/YYYY	PREP.
1	JULY/24/2008	LRW
2	FEB/24/2009	LRW

E-10

THREE PHASE
TRANSFORMER BASE

WEIGHT = 2750kg/6000lbs

1880mm x 1880mm [O.D.]