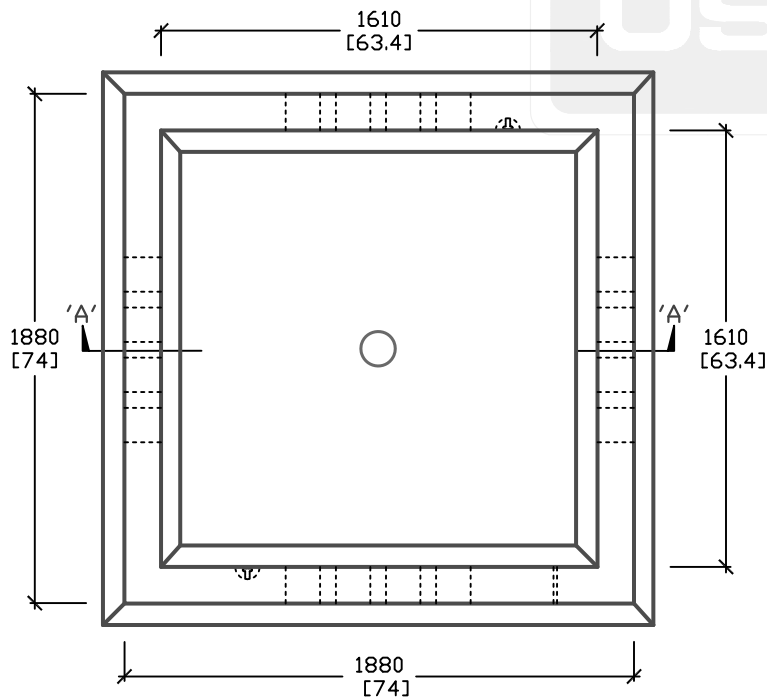
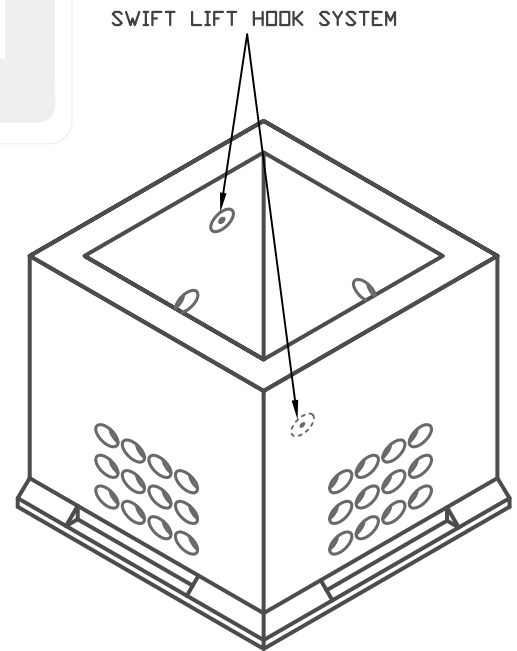


**CROSS SECTION 'A'**



**PLAN VIEW**



**ISOMETRIC VIEW**

ALL DIMENSIONS DEFAULT TO MILLIMETERS

mm  
[in.]



61 BONGARD AVE  
OTTAWA, ON,  
PH: 800.267.6466  
FAX: 613.225.1681

www.utilitystructures.com

**NOTES:**

DESIGNED TO CL-625-DNT TRUCK  
LIVE LOADING AS PER CSA S6-06

USE WITH PAD E12

\*CSA 23.4-05  
35MPa (5000psi) AT 28 DAYS  
6-8% AIR ENTRAINED

REV.#	MM/DD/YYYY	PREP.
1	OCT/09/2008	LRW
2	FEB/24/2009	LRW

**E10B**

ELECTRICAL MANHOLE BASE

WEIGHT = 3180kg/7000lbs

**1880mm x 1880mm [O.D.]**