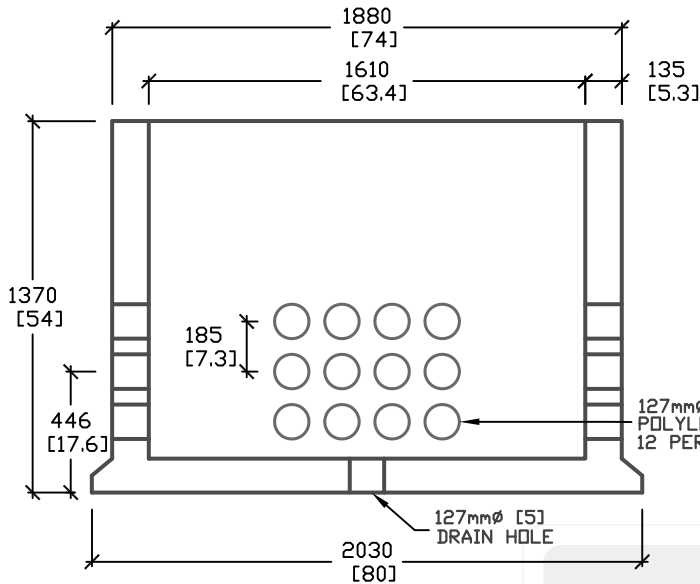
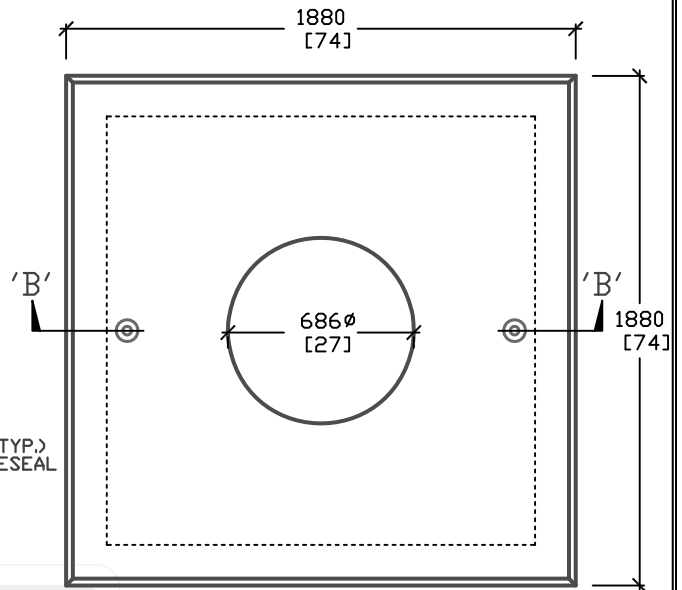


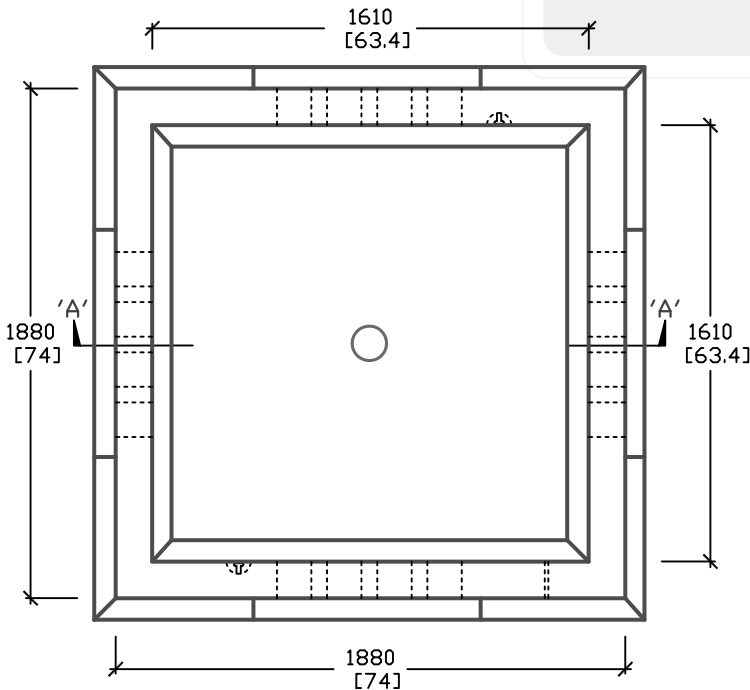
CROSS SECTION 'B'



CROSS SECTION 'A'

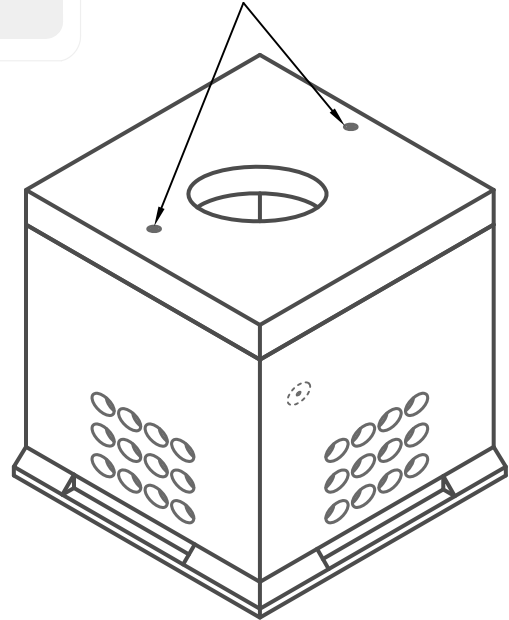


PLAN VIEW (PAD)



PLAN VIEW (BASE)

SWIFT LIFT HOOK SYSTEM



ISOMETRIC VIEW

ALL DIMENSIONS DEFAULT TO MILLIMETERS

mm [in.]



61 BONGARD AVE
OTTAWA, ON,
PH: 800.267.6466
FAX: 613.225.1681

www.utilitystructures.com

DESIGNED TO CL-625-DNT TRUCK
LIVE LOADING AS PER CSA S6-06

E10B BASE c/w E12 PAD
CAN ALSO USE E10 BASE

*CSA 23.4-05
35MPa (5000psi) AT 28 DAYS
6-8% AIR ENTRAINED

REV.#	MM/DD/YYYY	PREP.
1	OCT/09/2008	LRW
2	FEB/24/2009	LRW

E10B^c / E12_w
ELECTRICAL MANHOLE BASE
AND PAD

WEIGHT = 4730kg/10300lbs

1.57m(H) x 1610mm x 1610mm