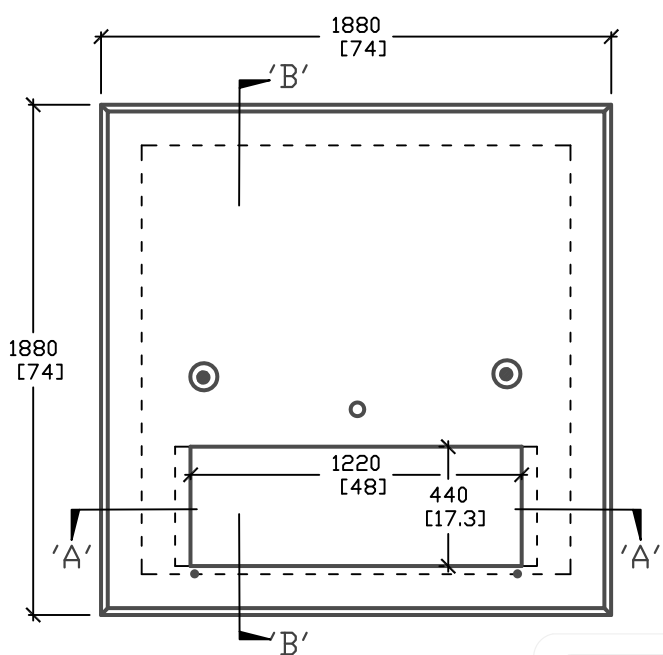
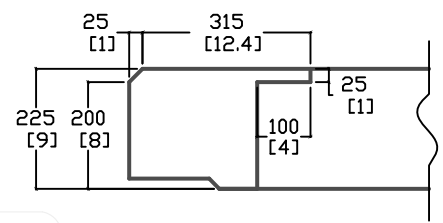


LOAD REQUIREMENTS	
DISTRIBUTED LATERAL LOAD	25kN/m
TOP SLAB DISTRIBUTED LOAD	60kN/m
TOP SLAB POINT LOAD	70kN/m

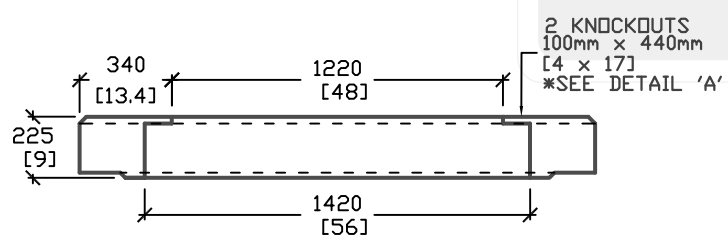


**PLAN VIEW**

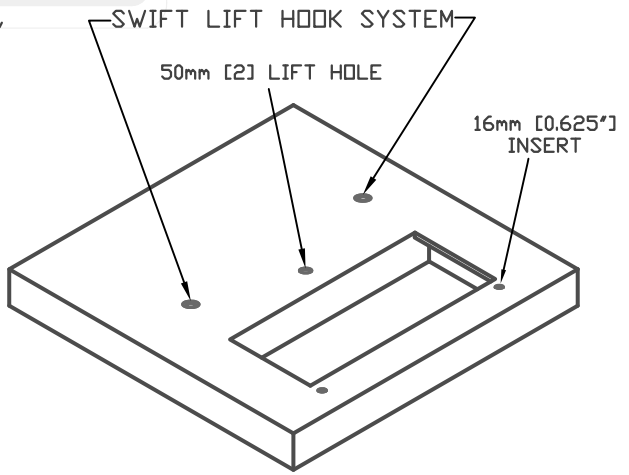
MULTI-PURPOSE PAD KNOCKOUT OPENING DETAILS	
TRANSFORMER SIZE	PAD OPENING SIZE
150kVA TO 500kVA	440mm x 1200mm [17' x 48']
750kVA TO 2500kVA	440mm x 1400mm [17' x 56']



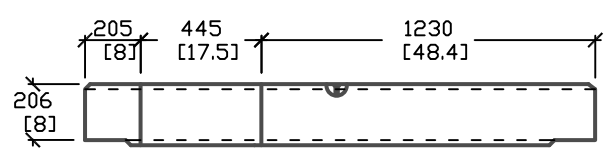
**DETAIL 'A'**



**CROSS SECTION 'A'**



**ISOMETRIC VIEW**



**CROSS SECTION 'B'**

ALL DIMENSIONS DEFAULT TO MILLIMETERS

mm [in.]



61 BONGARD AVE  
OTTAWA, ON,  
PH: 800.267.6466  
FAX: 613.225.1681

www.utilitystructures.com

AS PER HYDRO OTTAWA UCS0001  
AS PER HYDRO ONE ED19U-241  
150kVA TO 2500kVA  
USE WITH BASE E10

\*CSA 23.4-05  
35MPa (5000psi) AT 28 DAYS  
6-8% AIR ENTRAINED

REV.#	MM/DD/YYYY	PREP.
2	FEB/25/2009	LRW
3	MAR/27/2009	LRW

**E-11**

THREE PHASE  
TRANSFORMER PAD

WEIGHT = 1550kg/3300lbs

**1880mm x 1880mm [O.D.]**