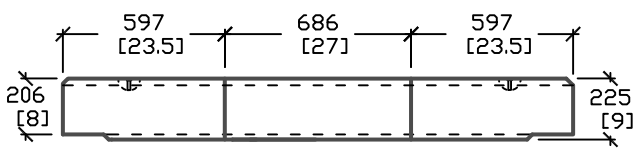
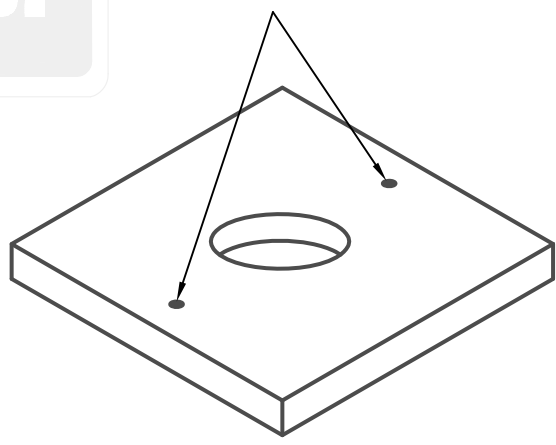


NOTE:
 COMES WITH STANDARD
 686mm [27"] dia. FRAME & COVER
 OPENING BUT IS AVAILABLE WITH
 VARIOUS OPENINGS.

PLAN VIEW



SWIFT LIFT HOOK SYSTEM



CROSS SECTION 'A'

ISOMETRIC VIEW

ALL DIMENSIONS DEFAULT TO MILLIMETERS

mm
[in.]



61 BONGARD AVE
 OTTAWA, ON,
 PH: 800.267.6466
 FAX: 613.225.1681

www.utilitystructures.com

DESIGNED TO CL-625-DNT TRUCK LIVE LOADING AS PER CSA S6-06		
USE WITH BASE E10B CAN ALSO BE USED WITH E10 BASE		
*CSA 23.4-05 35MPa (5000psi) AT 28 DAYS 6-8% AIR ENTRAINED		
REV.#	MM/DD/YYYY	PREP.
2	FEB/28/2009	LRW
3	APR/07/2009	LRW

E-12
 ELECTRICAL
 MANHOLE PAD

WEIGHT = 1550kg/3300lbs

1880mm x 1880mm [O.D.]