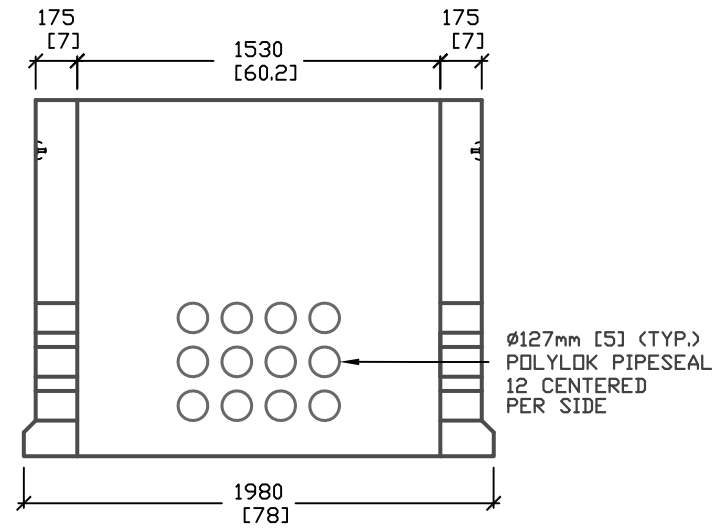
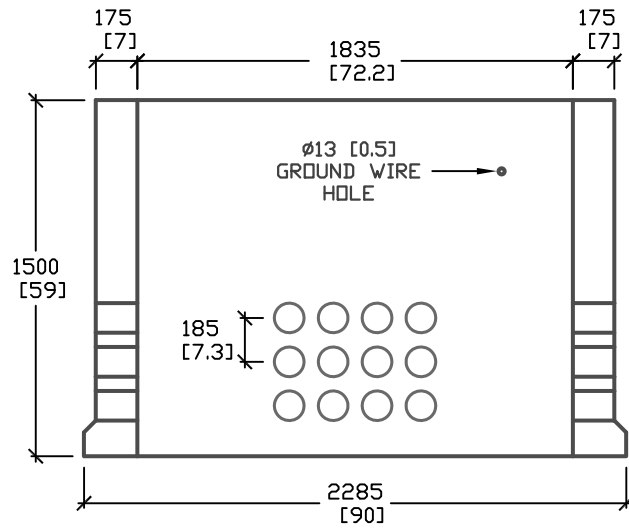
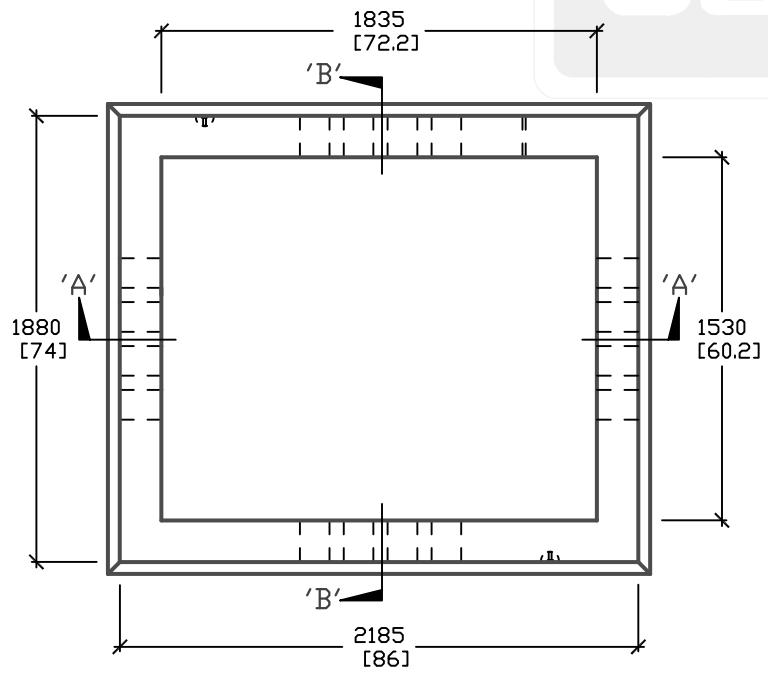


LOAD REQUIREMENTS	
DISTRIBUTED LATERAL LOAD	25kN/m
TOP SLAB DISTRIBUTED LOAD	60kN/m
TOP SLAB POINT LOAD	70kN/m

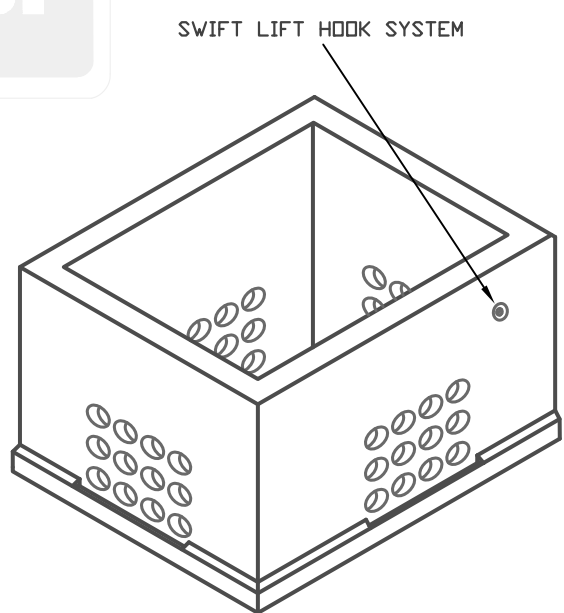


**CROSS SECTION 'A'**

**CROSS SECTION 'B'**



**PLAN VIEW**



**ISOMETRIC VIEW**

ALL DIMENSIONS DEFAULT TO MILLIMETERS

mm [in.]



61 BONGARD AVE  
OTTAWA, ON,  
PH: 800.267.6466  
FAX: 613.225.1681

www.utilitystructures.com

<b>NOTES:</b>		
AS PER HYDRO OTTAWA UCS0026 USE WITH PAD E13PS/E13PMH/E13HDN		
*CSA 23.4-05 35MPa (5000psi) AT 28 DAYS 6-8% AIR ENTRAINED		
REV.#	MM/DD/YYYY	PREP.
2	FEB/26/2009	LRW
3	JUN/16/2009	LRW

**E-13**

SWITCHGEAR  
TRANSFORMER BASE

WEIGHT = 3200kg/7000lbs

**1880mm x 2185mm [O.D.]**