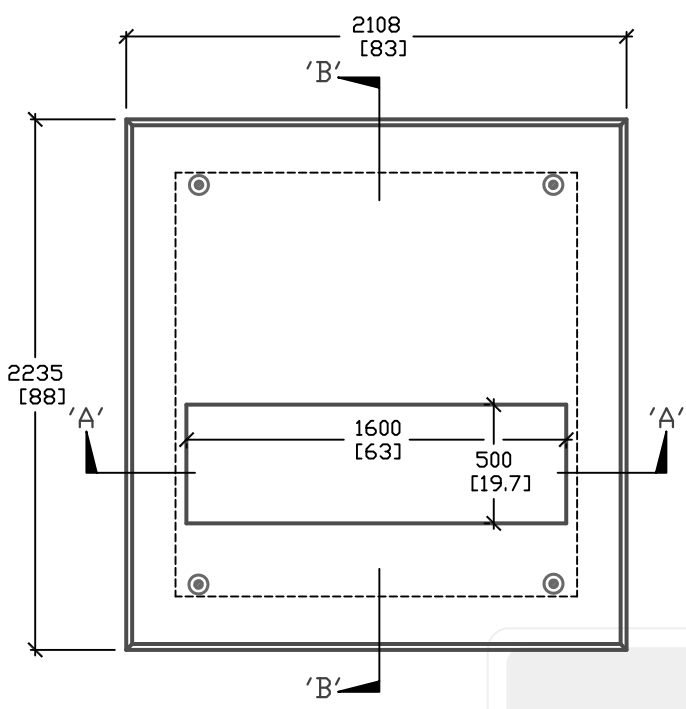
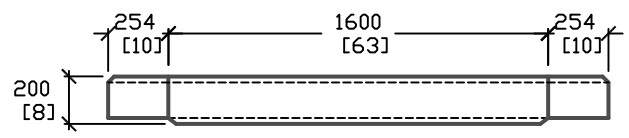


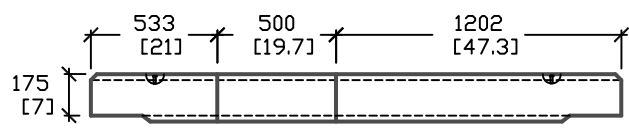
LOAD REQUIREMENTS	
DISTRIBUTED LATERAL LOAD	25kN/m
TOP SLAB DISTRIBUTED LOAD	60kN/m
TOP SLAB POINT LOAD	70kN/m



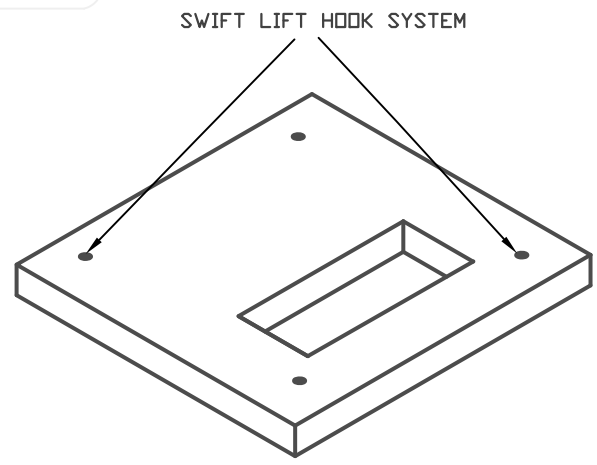
PLAN VIEW



CROSS SECTION 'A'



CROSS SECTION 'B'



ISOMETRIC VIEW

ALL DIMENSIONS DEFAULT TO MILLIMETERS

mm [in.]



61 BONGARD AVE
OTTAWA, ON,
PH: 800.267.6466
FAX: 613.225.1681

www.utilitystructures.com

NOTES:
AS PER HYDRO OTTAWA UCS0026
USE WITH BASE E13

*CSA 23.4-05
35MPa (5000psi) AT 28 DAYS
6-8% AIR ENTRAINED

REV.#	MM/DD/YYYY	PREP.
2	FEB/24/2009	LRW
3	JUL/29/2009	LRW

E-13PS
SWITCHGEAR PAD

WEIGHT = 2050kg/4520lbs

2108mm x 2235mm [O.D.]