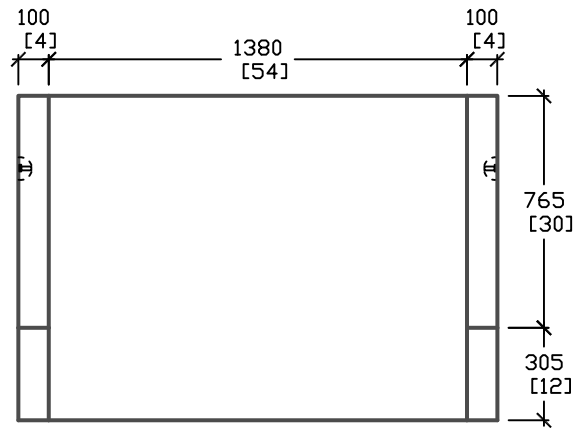
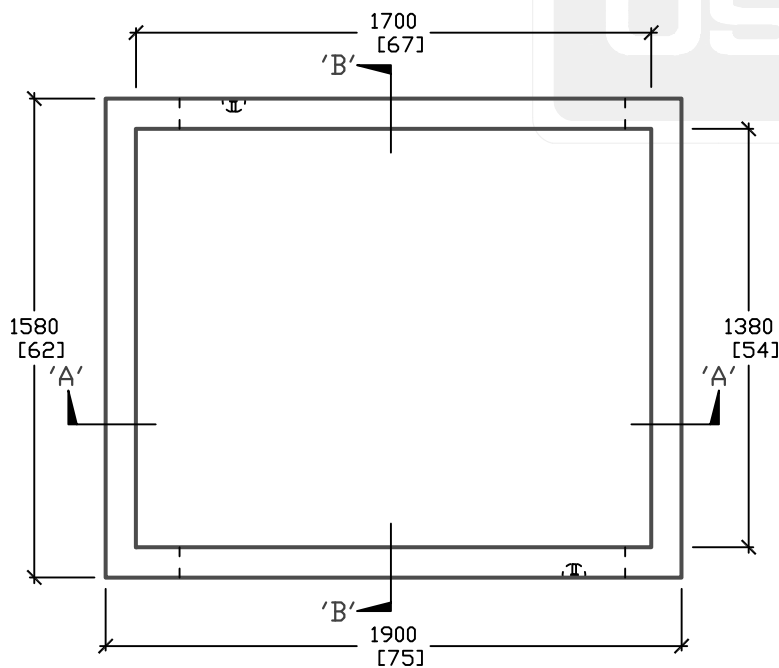


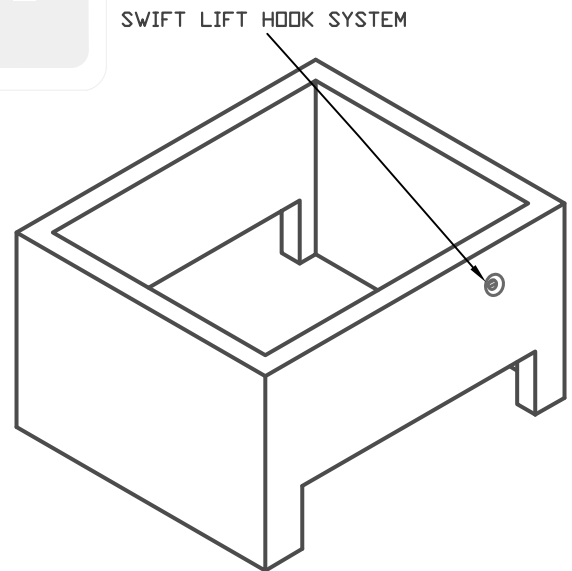
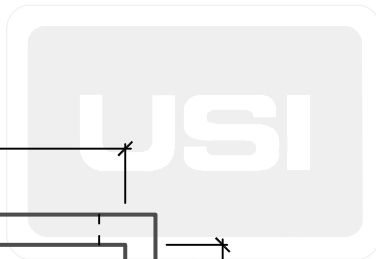
CROSS SECTION 'A'



CROSS SECTION 'B'



PLAN VIEW



ISOMETRIC VIEW

ALL DIMENSIONS DEFAULT TO MILLIMETERS

mm
[in.]



61 BONGARD AVE
OTTAWA, ON,
PH: 800.267.6466
FAX: 613.225.1681

www.utilitystructures.com

NOTES:

AS PER HYDRO ONE (ONTARIO)
TD21968C00/DL21968C01 (SF6/4-WAY)
USE WITH E14A OR E14AK PAD

*CSA 23.4-05
35MPa (5000psi) AT 28 DAYS
6-8% AIR ENTRAINED

REV.#	MM/DD/YYYY	PREP.
1	JULY/24/2008	LRW
2	FEB/25/2009	LRW

E-14

THREE PHASE
TRANSFORMER BASE

WEIGHT = 1740kg/3800lbs

1580mm x 1900mm [O.D.]