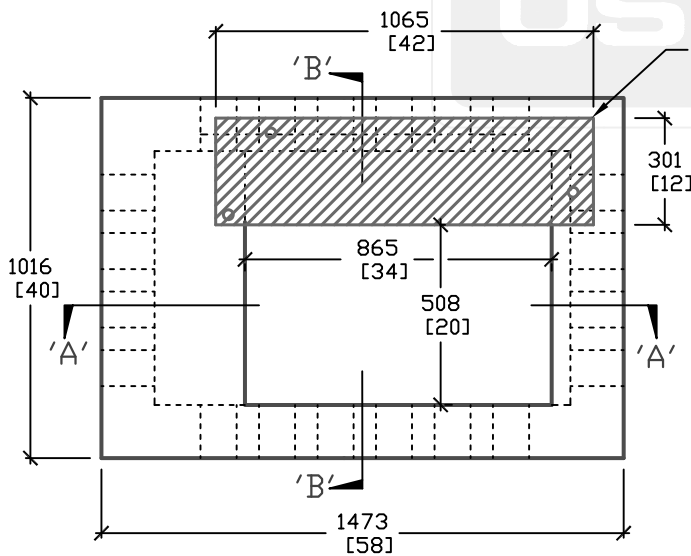
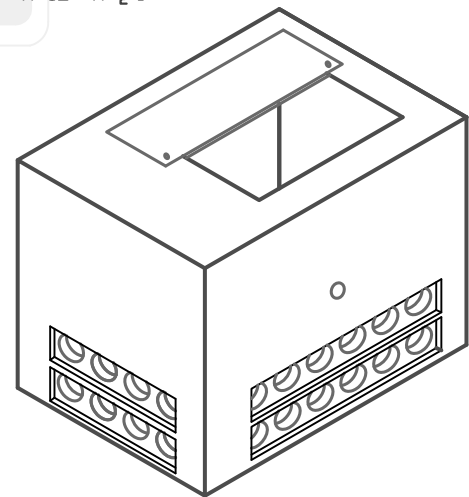


CROSS SECTION 'A'

CROSS SECTION 'B'



PLAN VIEW



ISOMETRIC VIEW

ALL DIMENSIONS DEFAULT TO MILLIMETERS

mm
[in.]



61 BONGARD AVE
OTTAWA, ON,
PH: 800.267.6466
FAX: 613.225.1681

www.utilitystructures.com

NOTES:

AS PER HYDRO ONE (ONTARIO)
KABAR TX VAULT

*CSA 23.4-05
35MPa (5000psi) AT 28 DAYS
6-8% AIR ENTRAINED

REV.#	MM/DD/YYYY	PREP.
1	AUG/19/2008	LRW
2	FEB/25/2009	LRW

E-15K

SINGLE PHASE
KABAR BASE

WEIGHT = 1600kg/3500lbs

1015mm x 1473mm [O.D.]