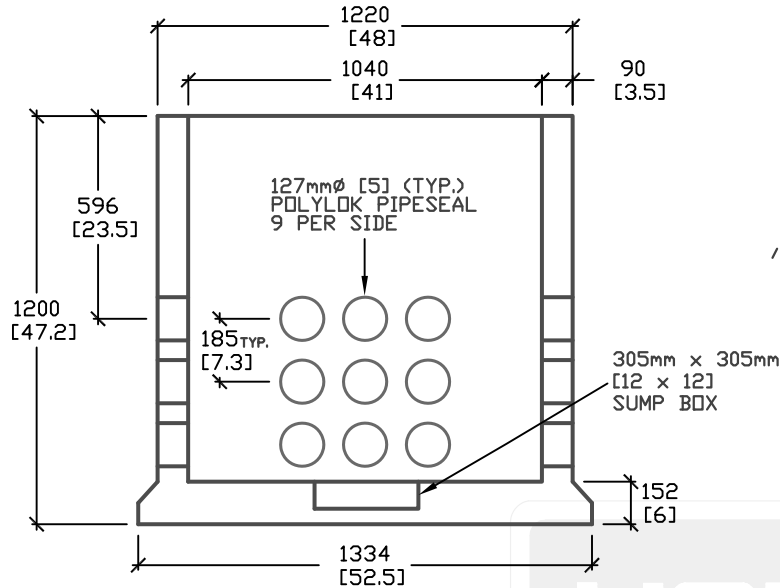
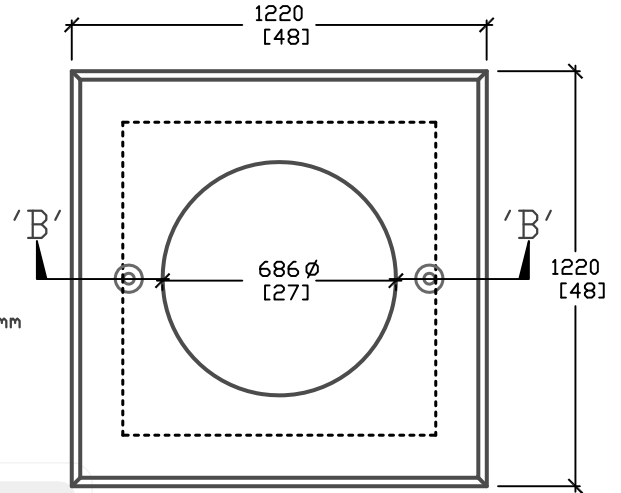


CROSS SECTION 'B'

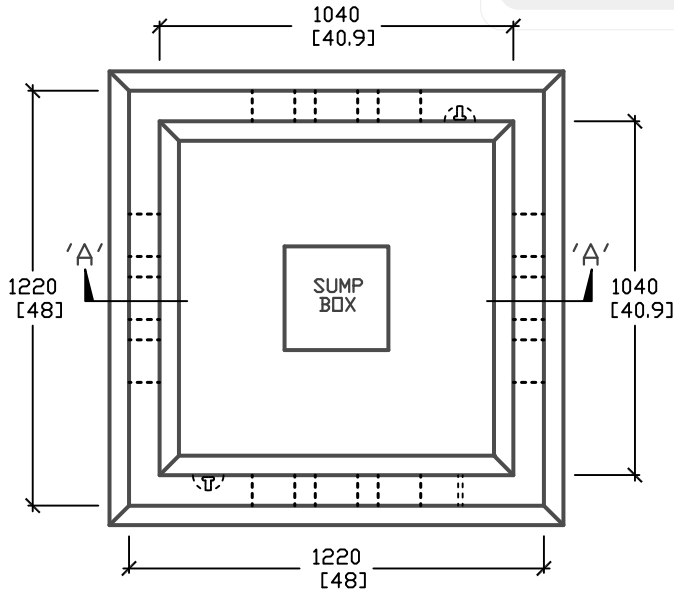


CROSS SECTION 'A'

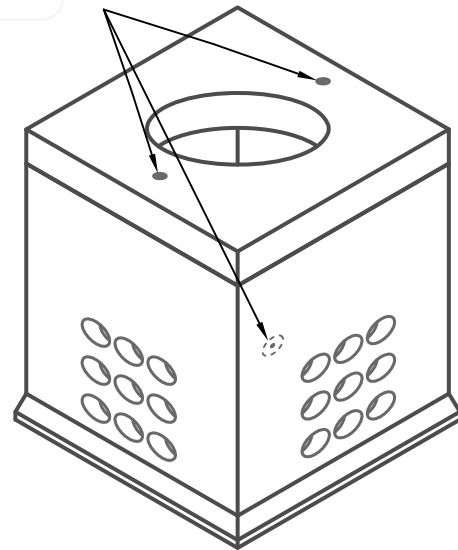


**PLAN VIEW
(PAD)**

SWIFT LIFT HOOK SYSTEM



**PLAN VIEW
(BASE)**



ISOMETRIC VIEW

ALL DIMENSIONS DEFAULT TO MILLIMETERS

mm
[in.]



61 BONGARD AVE
OTTAWA, ON,
PH: 800.267.6466
FAX: 613.225.1681

www.utilitystructures.com

DESIGNED TO CL-625-DNT TRUCK
LIVE LOADING AS PER CSA S6-06
E1B BASE c/w E3 PAD
CAN ALSO USE E1 BASE

*CSA 23.4-05
35MPa (5000psi) AT 28 DAYS
6-8% AIR ENTRAINED

REV.#	MM/DD/YYYY	PREP.
1	OCT/09/2008	LRW
2	FEB/26/2009	LRW

E1B^c / E3_w

ELECTRICAL MANHOLE BASE
AND PAD

WEIGHT = 1820kg/3980lbs

1.3m(H) x 1040mm x 1040mm