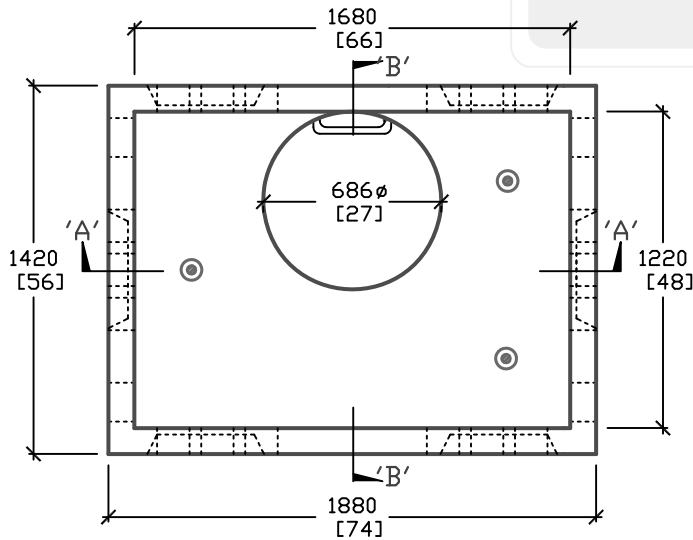


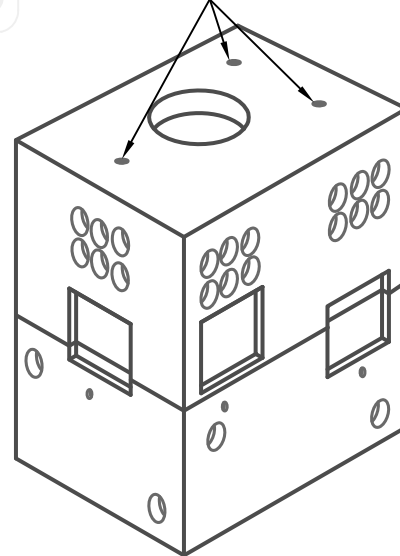
CROSS SECTION 'A'

CROSS SECTION 'B'



PLAN VIEW

SWIFT LIFT HOOK SYSTEM



ISOMETRIC VIEW

ALL DIMENSIONS DEFAULT TO MILLIMETERS

mm [in.]



61 BONGARD AVE
OTTAWA, ON,
PH: 800.267.6466
FAX: 613.225.1681

www.utilitystructures.com

NOTES:

AS PER O.P.S.D. 2111.04
DESIGNED TO CL-625-DNT TRUCK
LIVE LOADING AS PER CSA S6-06

*CSA 23.4-05
35MPa (5000psi) AT 28 DAYS
6-8% AIR ENTRAINED

REV.#	MM/DD/YYYY	PREP.
1	OCT/09/2008	LRW
	MAR/18/2009	

E-24

ELECTRICAL MANHOLE

WEIGHT = 5000kg/10800lbs

1220mm x 1680mm [I.D.]