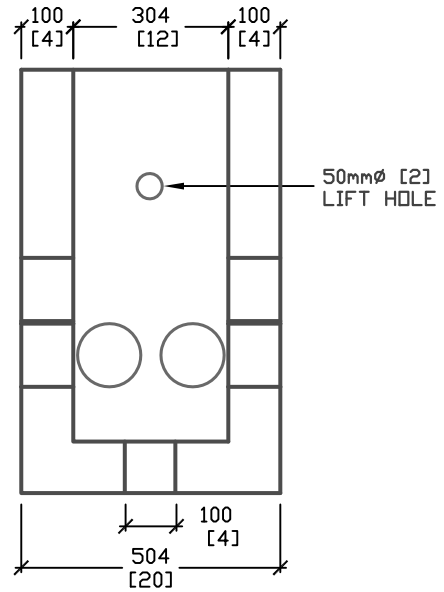
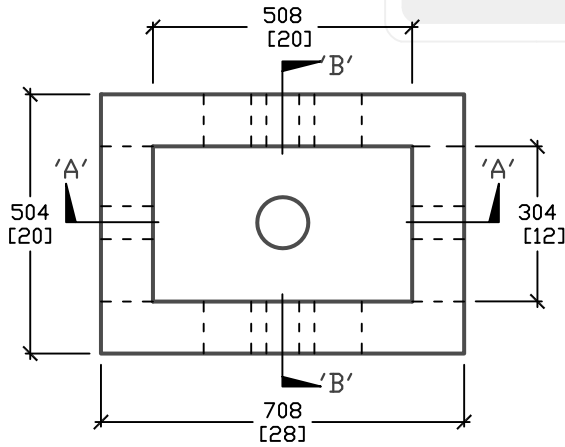


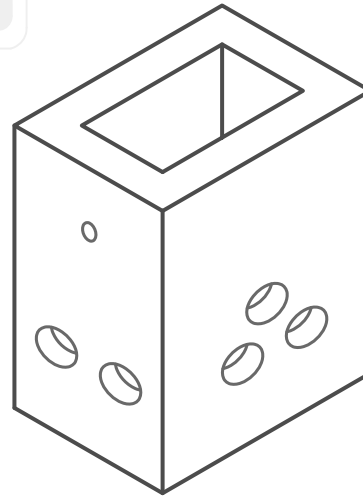
CROSS SECTION 'A'



CROSS SECTION 'B'



PLAN VIEW



ISOMETRIC VIEW

ALL DIMENSIONS DEFAULT TO MILLIMETERS

mm
[in.]



61 BONGARD AVE
OTTAWA, ON,
PH: 800.267.6466
FAX: 613.225.1681

www.utilitystructures.com

NOTES:

USE WITH F-4 FRAME & COVER
AS PER O.P.S.D. 2112.05
CITY OF OTTAWA T1 & LID0008

*CSA 23.4-05
35MPa (5000psi) AT 28 DAYS
6-8% AIR ENTRAINED

REV.#	MM/DD/YYYY	PREP.
1	JULY/28/2008	LRW
2	FEB/27/2009	LRW

E-27

ELECTRICAL TRAFFIC
HANDHOLE

WEIGHT = 420kg/900lbs

300mm x 500mm [I.D.]