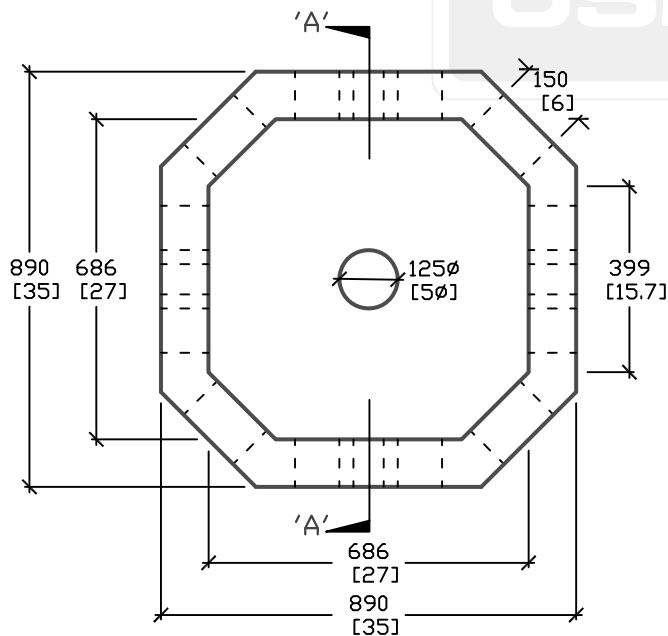
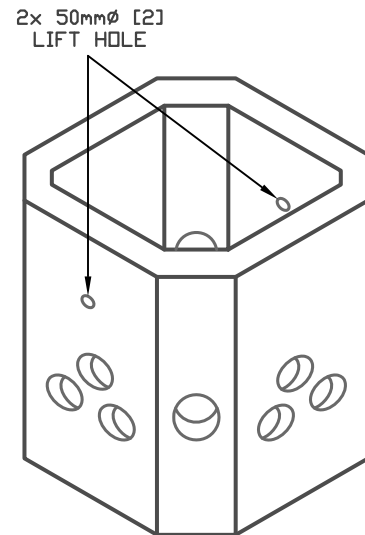


CROSS SECTION 'A'



PLAN VIEW



ISOMETRIC VIEW

ALL DIMENSIONS DEFAULT TO MILLIMETERS

mm
[in.]



61 BONGARD AVE
OTTAWA, ON,
PH: 800.267.6466
FAX: 613.225.1681

www.utilitystructures.com

NOTES:

CITY OF OTTAWA STD T39 & LID0011

*CSA 23.4-05
35MPa (5000psi) AT 28 DAYS
6-8% AIR ENTRAINED

REV.#	MM/DD/YYYY	PREP.
2	FEB/27/2009	LRW
3	OCT/13/2009	LRW

E-28

ELECTRICAL TRAFFIC
OCTAGONAL MANHOLE

WEIGHT = 650kg/1400lbs

690mm x 690mm [I.D.]