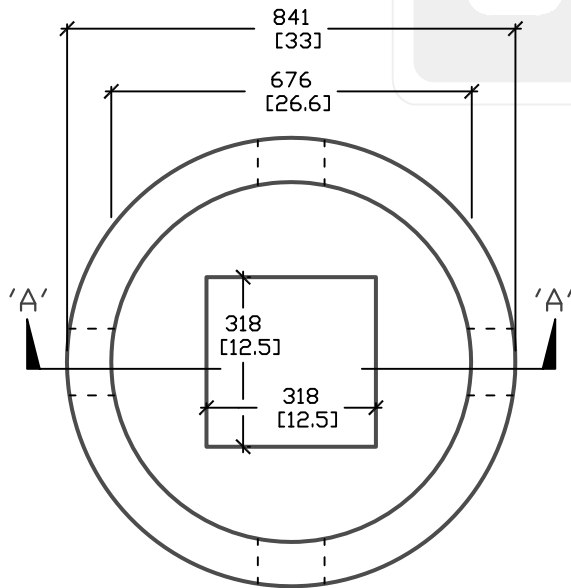
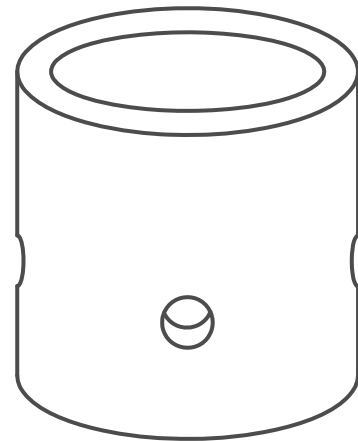


CROSS SECTION 'A'



PLAN VIEW



ISOMETRIC VIEW

ALL DIMENSIONS DEFAULT TO MILLIMETERS

mm
[in.]



61 BONGARD AVE
OTTAWA, ON,
PH: 800.267.6466
FAX: 613.225.1681

www.utilitystructures.com

NOTES:

YORK REGION E-1.04
AS PER O.P.S.D. 2112.03

*CSA 23.4-05
35MPa (5000psi) AT 28 DAYS
6-8% AIR ENTRAINED

REV.#	MM/DD/YYYY	PREP.
1	JULY/31/2008	LRW
2	FEB/27/2009	LRW

E-29

ELECTRICAL HANDHOLE

WEIGHT = 470kg/1030lbs

.75m(H) x 675mm dia.