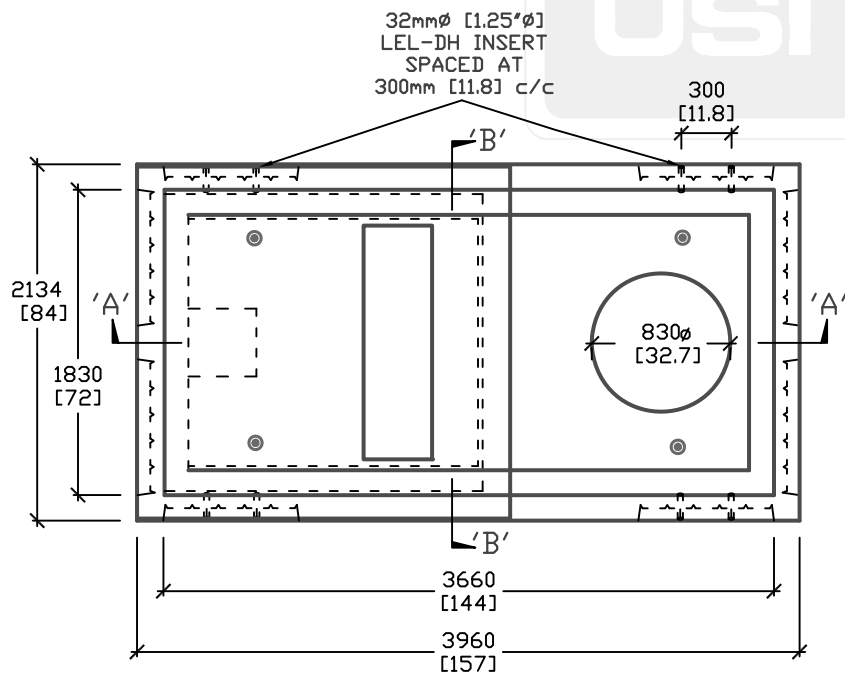
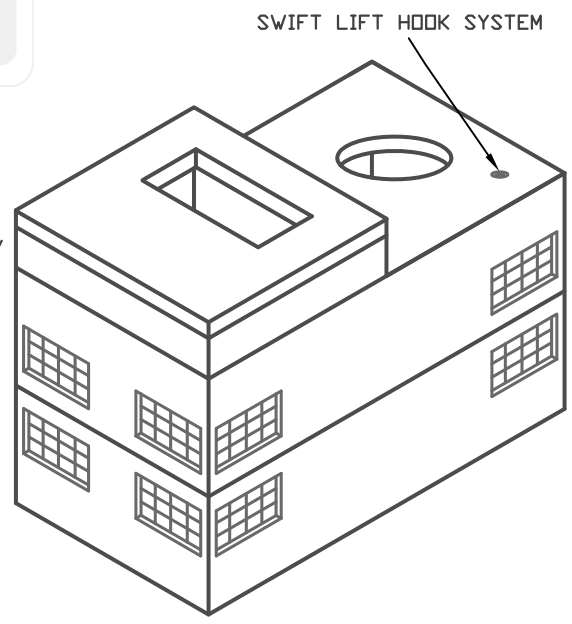


CROSS SECTION 'A'

CROSS SECTION 'B'



PLAN VIEW



ISOMETRIC VIEW

ALL DIMENSIONS DEFAULT TO MILLIMETERS

mm [in.]



61 BONGARD AVE
OTTAWA, ON,
PH: 800.267.6466
FAX: 613.225.1681

www.utilitystructures.com

NOTES:
AS PER HYDRO OTTAWA UCS0025
DESIGNED TO CL-625-DNT TRUCK
LIVE LOADING AS PER CSA S6-06

*CSA 23.4-05
35MPa (5000psi) AT 28 DAYS
6-8% AIR ENTRAINED

REV.#	MM/DD/YYYY	PREP.
2	NOV/17/2008	LRW
3	FEB/24/2009	LRW

E-37

6' x 12' ELECTRICAL
SWITCHING MANHOLE

WEIGHT = 14500kg/32000lbs

1830mm x 3660mm [I.D.]