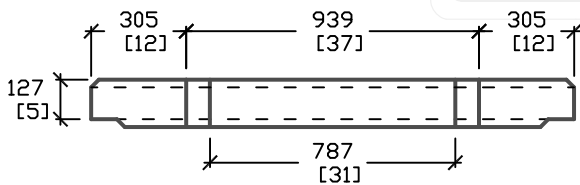
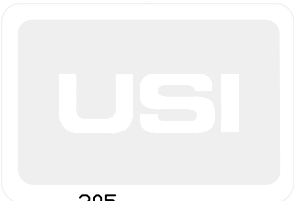
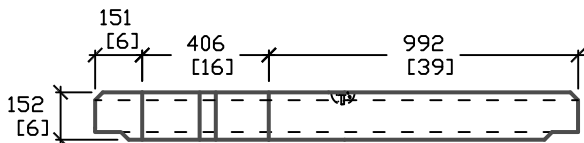


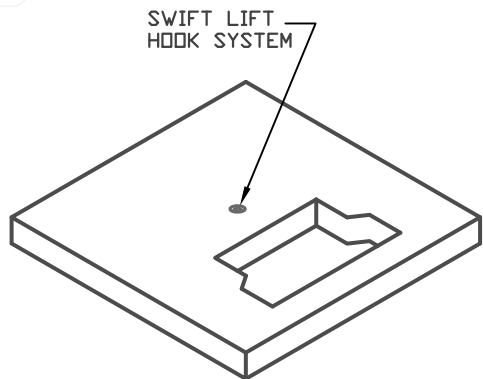
**PLAN VIEW**



**CROSS SECTION 'A'**



**CROSS SECTION 'B'**



**ISOMETRIC VIEW**

ALL DIMENSIONS DEFAULT TO MILLIMETERS

mm  
[in.]



61 BONGARD AVE  
OTTAWA, ON,  
PH: 800.267.6466  
FAX: 613.225.1681

www.utilitystructures.com

**NOTES:**

150kVA TO 1000kVA  
USE WITH BASE E4

\*CSA 23.4-05  
35MPa (5000psi) AT 28 DAYS  
6-8% AIR ENTRAINED

REV.#	MM/DD/YYYY	PREP.
1	JULY/24/2008	LRW
2	FEB/24/2009	LRW

**E-5**

THREE PHASE  
TRANSFORMER PAD

WEIGHT = 715kg/1800lbs

**1549mm x 1549mm [O.D.]**