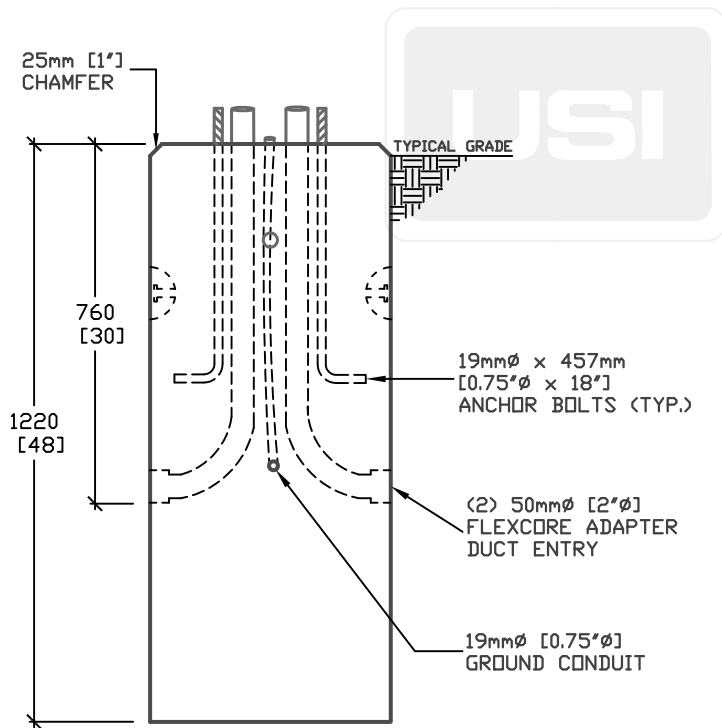
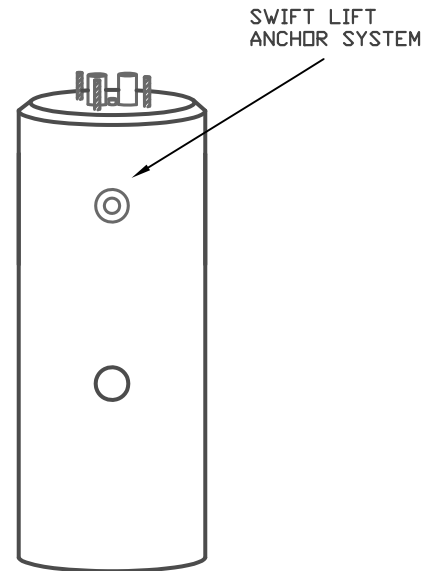


PLAN VIEW



CROSS SECTION 'A'



ISOMETRIC VIEW

ALL DIMENSIONS DEFAULT TO MILLIMETERS

mm [in.]



61 BONGARD AVE
OTTAWA, ON,
PH: 800.267.6466
FAX: 613.225.1681

www.utilitystructures.com

NOTES:

CAN ACCOMMODATE A 15' POLE A/G
B.C.D = VARIES AS REQUIRED

*CSA 23.4-05
35MPa (5000psi) AT 28 DAYS
6-8% AIR ENTRAINED

REV.#	MM/DD/YYYY	PREP.
2	FEB/27/2009	LRW
3	SEP/11/2009	LRW

E-51(48)

4' ROUND POLE BASE

WEIGHT = 1070kg/2350lbs

1.22m(H) x 508mm dia.