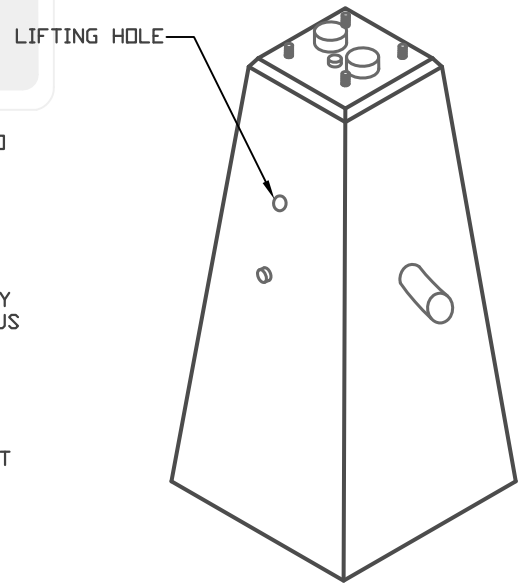
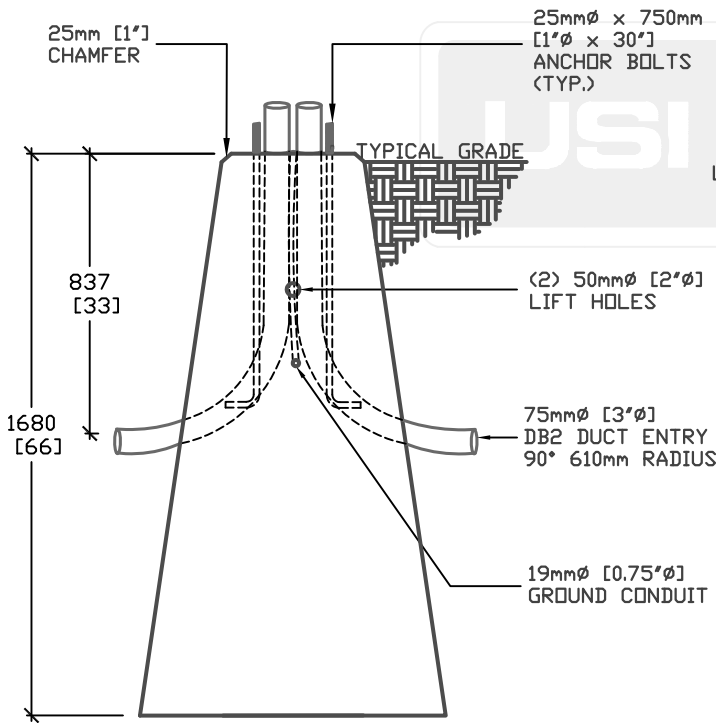


**NOTE:**  
B.C.D. CAN BE MODIFIED  
AS REQUIRED

**PLAN VIEW**



**SIDE ELEVATION**

**ISOMETRIC VIEW**

ALL DIMENSIONS DEFAULT TO MILLIMETERS

mm  
[in.]



61 BONGARD AVE  
OTTAWA, ON,  
PH: 800.267.6466  
FAX: 613.225.1681

www.utilitystructures.com

**NOTES:**  
AS PER CITY OF OTTAWA LID 0004  
ACCOMMODATES 37' POLE,  
ABOVE GRADE

\*CSA 23.4-05  
35MPa (5000psi) AT 28 DAYS  
6-8% AIR ENTRAINED

REV.#	MM/DD/YYYY	PREP.
1	AUG/01/2008	LRW
2	FEB/24/2009	LRW

**E-52**

5'-6" SQUARE PRYAMID  
POLE BASE

WEIGHT = 1825kg/4000lbs

**1.68m(H) x 915mm x 915mm**