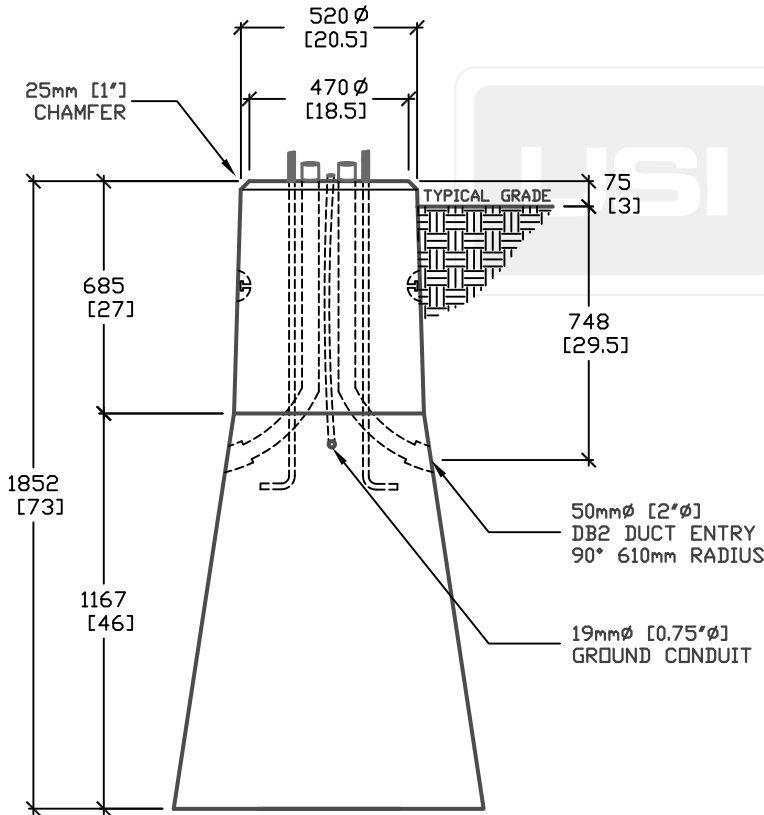
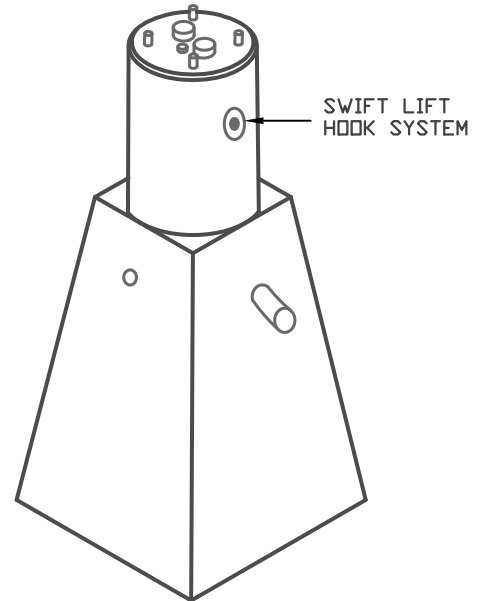


PLAN VIEW

NOTE:
B.C.D. CAN BE MODIFIED AS REQUIRED



ELEVATION



ISOMETRIC VIEW

ALL DIMENSIONS DEFAULT TO MILLIMETERS

mm [in.]



61 BONGARD AVE
OTTAWA, ON,
PH: 800.267.6466
FAX: 613.225.1681

www.utilitystructures.com

NOTES:

AS PER CITY OF OTTAWA LID 0002B

*CSA 23.4-05
35MPa (5000psi) AT 28 DAYS
5-8% AIR ENTRAINED

REV.#	MM/DD/YYYY	PREP.
2	MAR/06/2009	LRW
3	FEB/07/2011	EG

E-52RT

6' SQUARE PRYAMID POLE
BASE WITH ROUND TOP

WEIGHT = 1977kg/4360lbs

1.85m (H) x 470mm dia.