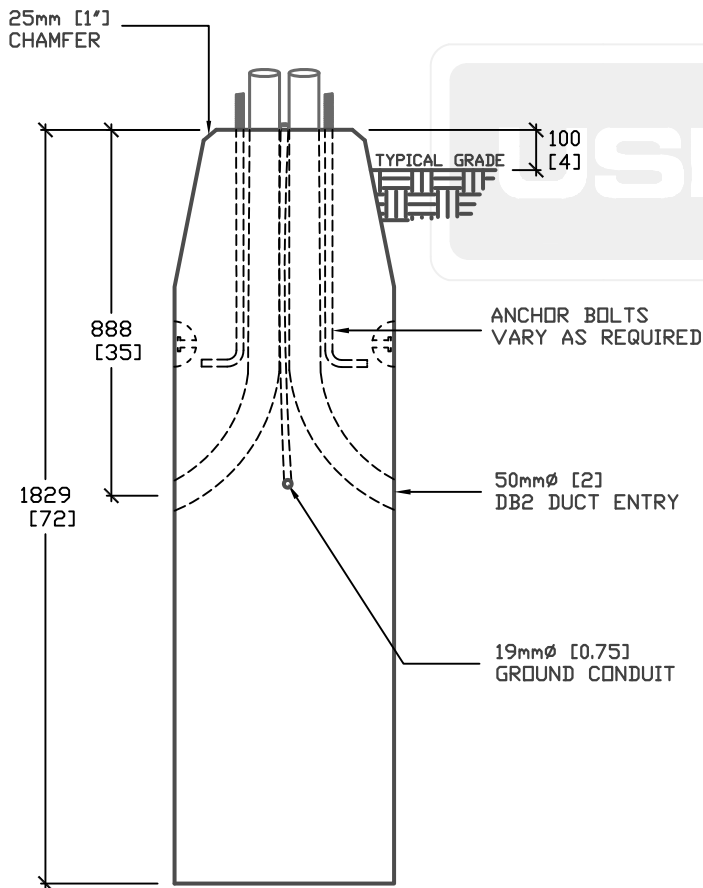
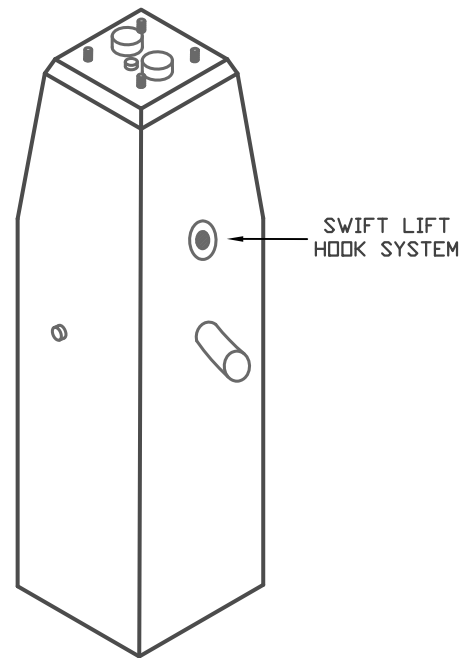


PLAN VIEW



SIDE ELEVATION



ISOMETRIC VIEW

ALL DIMENSIONS DEFAULT TO MILLIMETERS

mm
[in.]



61 BONGARD AVE
OTTAWA, ON,
PH: 800.267.6466
FAX: 613.225.1681

www.utilitystructures.com

NOTES:

CAN ACCOMMODATE A 25' POLE ABOVE GRADE

*CSA 23.4-05
35MPa (5000psi) AT 28 DAYS
6-8% AIR ENTRAINED

REV.#	MM/DD/YYYY	PREP.
2	FEB/24/2009	LRW
3	MAR/20/2009	LRW

E-53

6' SQUARE TAPERED POLE BASE

WEIGHT = 1420kg/3100lbs

1.8m(H) x 533mm x 533mm