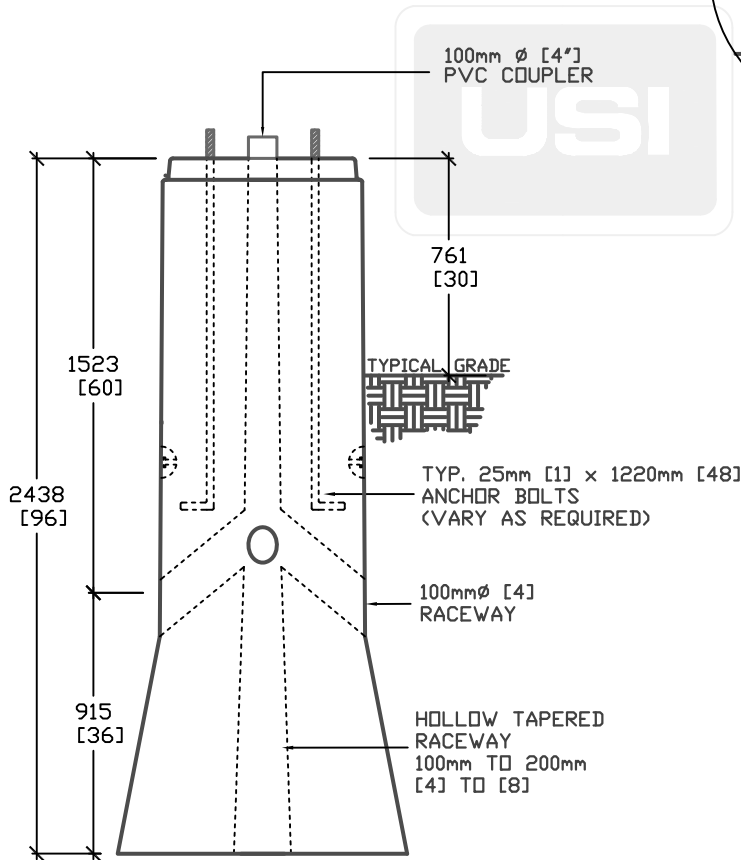
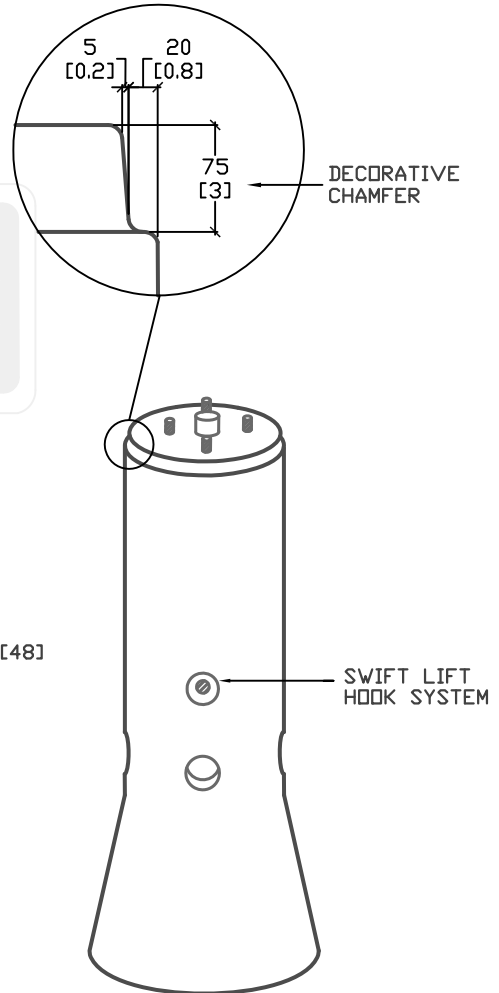


PLAN VIEW

**** NOTE ****
 AVAILABLE IN VARIOUS
 COLOURS AND FINISHES



SIDE ELEVATION



ISOMETRIC VIEW

ALL DIMENSIONS DEFAULT TO MILLIMETERS

mm
 [in.]



61 BONGARD AVE
 OTTAWA, ON,
 PH: 800.267.6466
 FAX: 613.225.1681

www.utilitystructures.com

NOTES:

B.C.D. RANGE = 8' TO 15'
 CAN ACCOMMODATE A 35' POLE

*CSA 23.4-05
 35MPa (5000psi) AT 28 DAYS
 6-8% AIR ENTRAINED

REV.#	MM/DD/YYYY	PREP.
1	AUG/01/2008	LRW
2	FEB/27/2009	LRW

E-55

8' PARKING LOT POLE BASE

WEIGHT = 3000kg/6600lbs

2.44m(H) x 690mm dia.