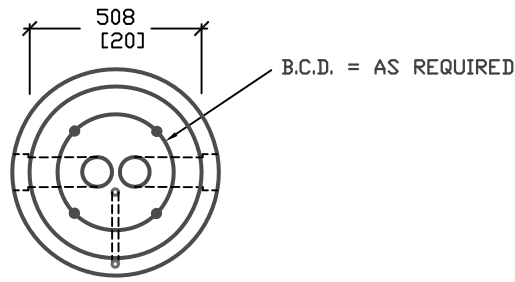
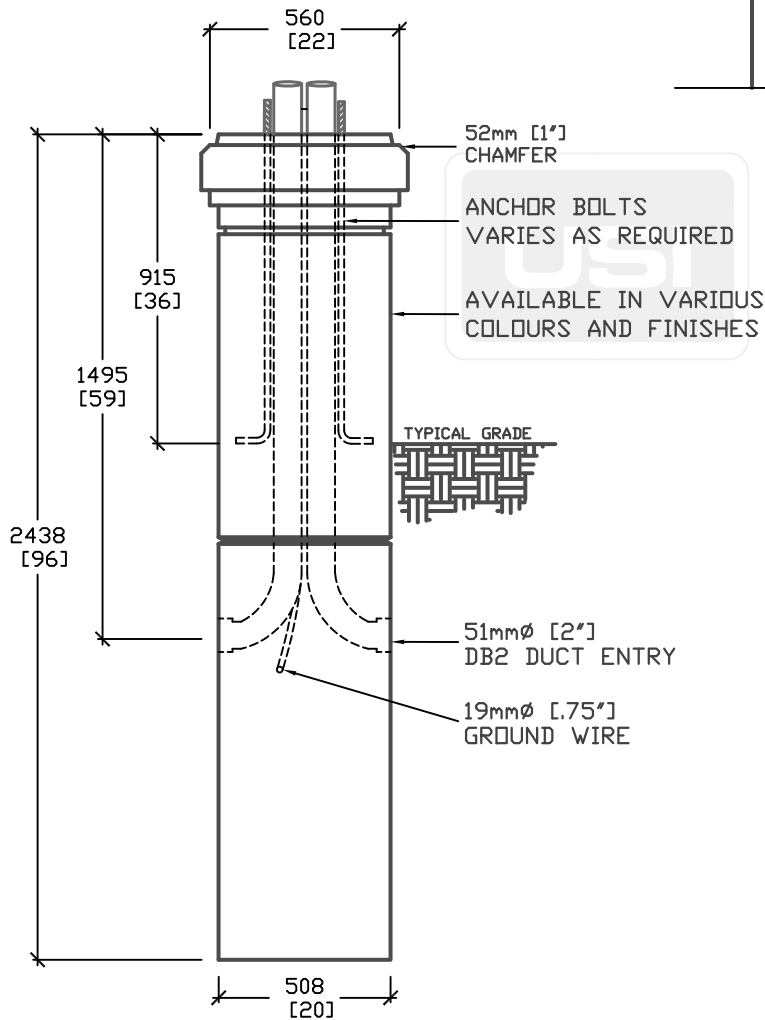
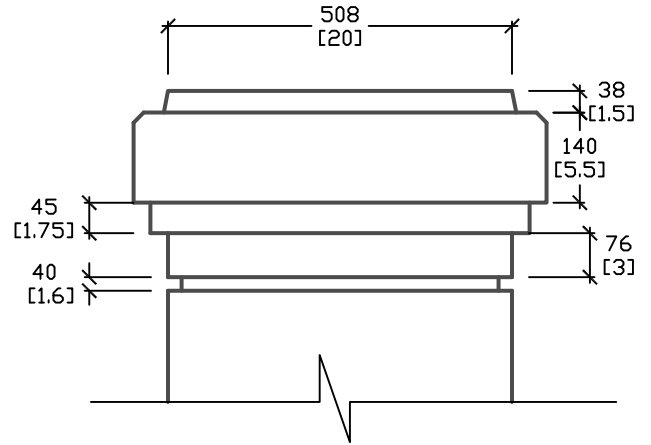


NOTE:

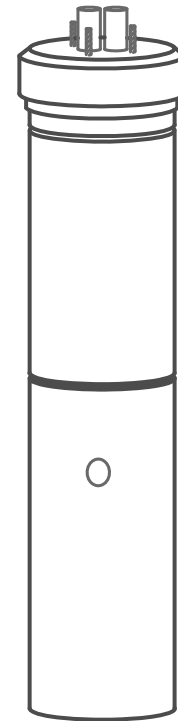
AVAILABLE IN 3658mm [144"] OVERALL HEIGHT TO ACCOMMODATE A 35' POLE
CODE: E-57(12')



PLAN VIEW



SIDE ELEVATION



ISOMETRIC VIEW

ALL DIMENSIONS DEFAULT TO MILLIMETERS

mm
[in.]



61 BONGARD AVE
 OTTAWA, ON,
 PH: 800.267.6466
 FAX: 613.225.1681

www.utilitystructures.com

NOTES:
 AVAILABLE IN VARIOUS COLOURS & FINISHES
 CAN ACCOMMODATE A 25 FOOT POLE ABOVE GRADE

*CSA 23.4-05
 35MPa (5000psi) AT 28 DAYS
 6-8% AIR ENTRAINED

REV.#	MM/DD/YYYY	PREP.
5	SEP/14/2009	LRW
6	DEC/02/2009	LRW

E-57

8' DECORATIVE COLUMN
 PARKING LOT POLE BASE

WEIGHT = 1250kg/2750lbs

2.44m(H) x 508mm dia.