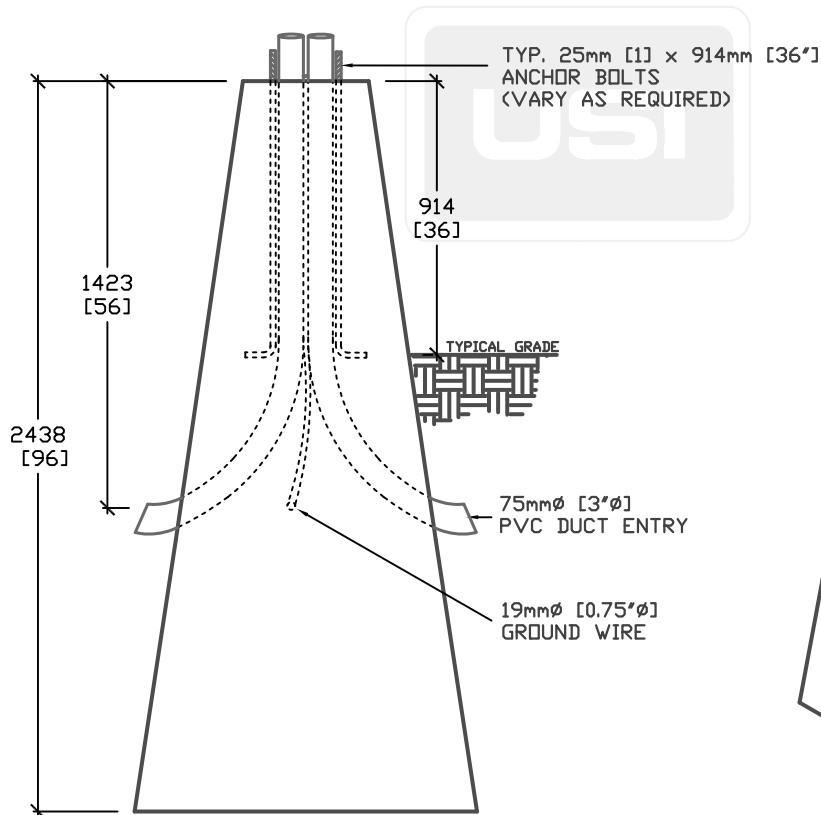
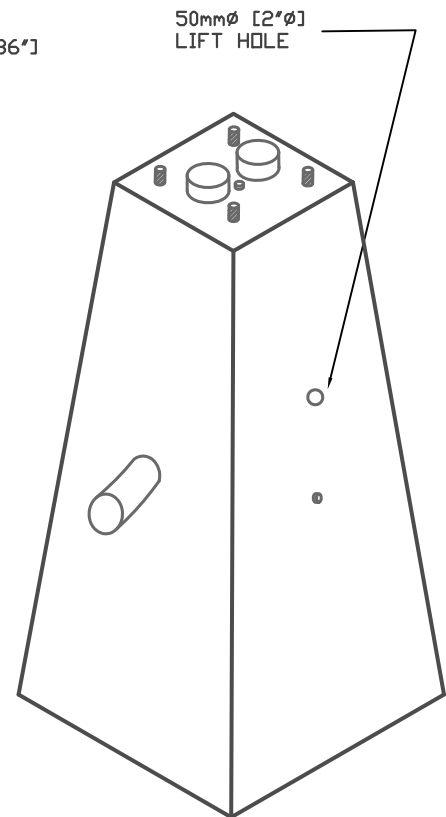


PLAN VIEW



SIDE ELEVATION



ISOMETRIC VIEW

ALL DIMENSIONS DEFAULT TO MILLIMETERS

mm
[in.]



61 BONGARD AVE
OTTAWA, ON,
PH: 800.267.6466
FAX: 613.225.1681

www.utilitystructures.com

NOTES:

B.C.D. RANGES FROM 8" TO 14"
PARKING LOT POLE BASE
ACCOMMODATES POLES 35' A/G

*CSA 23.4-05
35MPa (5000psi) AT 28 DAYS
6-8% AIR ENTRAINED

REV.#	MM/DD/YYYY	PREP.
1	JULY/28/2008	LRW
2	MAR/02/2009	LRW

E-58

8' SQUARE PYRAMID
POLE BASE

WEIGHT = 3635kg/8000lbs

2.4m(H) x 1143mm x 1143mm