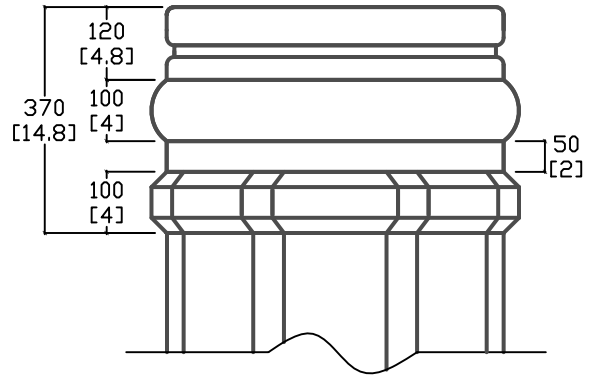
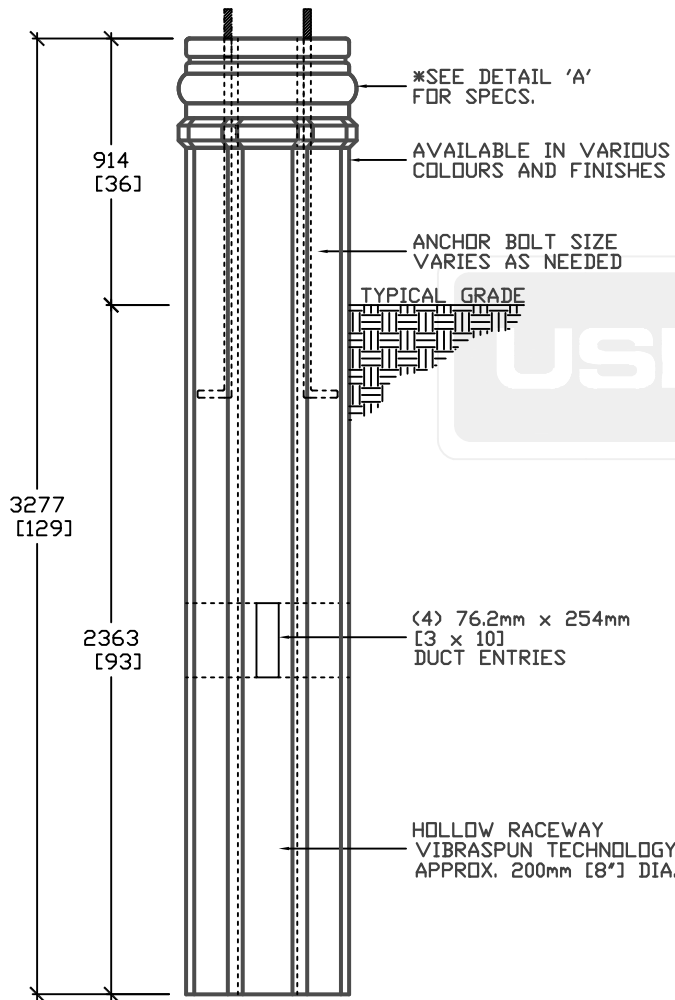


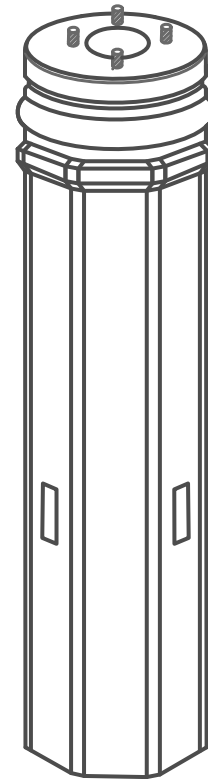
PLAN VIEW



DETAIL 'A'



ELEVATION



ISOMETRIC VIEW

ALL DIMENSIONS DEFAULT TO MILLIMETERS

mm
[in.]



61 BONGARD AVE
OTTAWA, ON,
PH: 800.267.6466
FAX: 613.225.1681

www.utilitystructures.com

NOTES:

B.C.D. RANGE = 10.5' TO 15.5'
AVAILABLE IN VARIOUS
COLOURS AND FINISHES

*CSA 23.4-05
35MPa (5000psi) AT 28 DAYS
6-8% AIR ENTRAINED

REV.#	MM/DD/YYYY	PREP.
1	AUG/08/2008	LRW
2	MAR/02/2009	LRW

E-59

10'-6" DECORATIVE
POLE BASE

WEIGHT = 1814kg/4000lbs

3.28m(H) x 560mm dia.