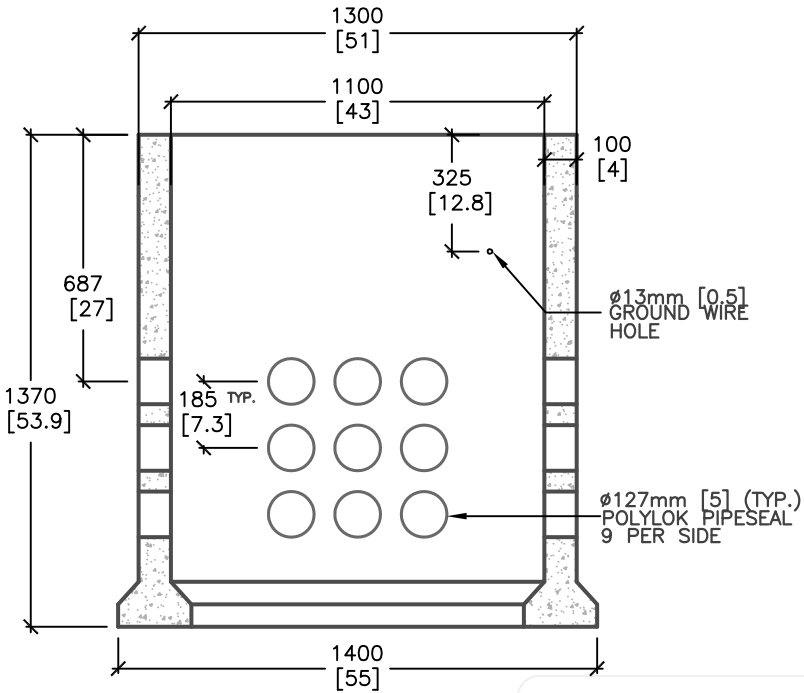
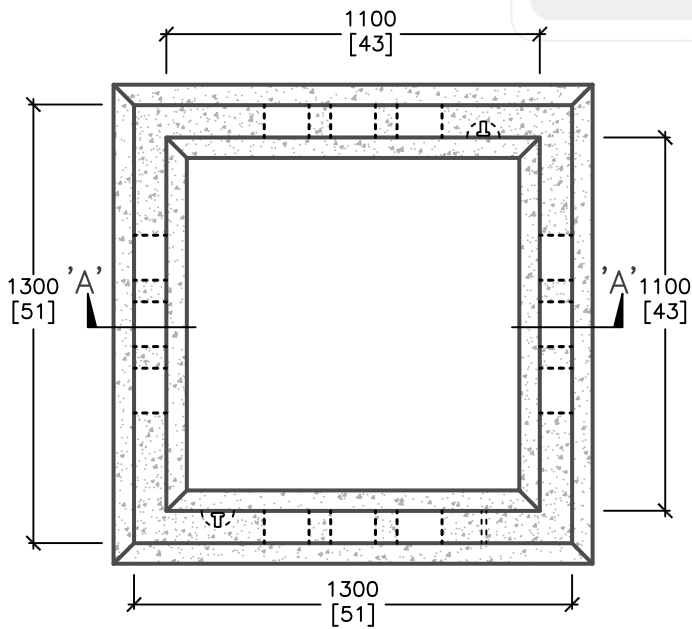


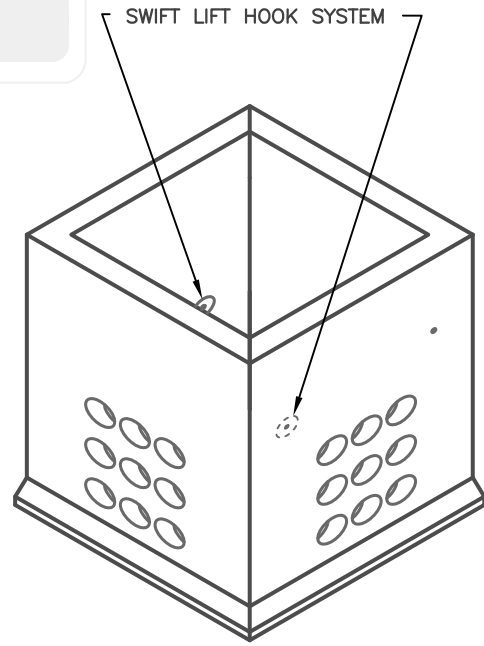
LOAD REQUIREMENTS	
DISTRIBUTED LATERAL LOAD	25kN/m
TOP SLAB DISTRIBUTED LOAD	60kN/m
TOP SLAB POINT LOAD	70kN/m



CROSS SECTION 'A'



PLAN VIEW



ISOMETRIC VIEW

ALL DIMENSIONS DEFAULT TO MILLIMETERS

mm [in].



61 BONGARD AVE
OTTAWA, ON,
PH: 800.267.6466
FAX: 613.225.1681

www.utilitystructures.com

NOTES:
AS PER HYDRO OTTAWA UCS0003 REV.5
25kVA TO 167kVA
USE WITH PAD E7

*CSA 23.4-09
35MPa (5000psi) AT 28 DAYS
5-8% AIR ENTRAINED

REV.#	MM/DD/YYYY	PREP.
2	FEB/25/2009	LRW.
3	SEPT/16/2010	EG

E-6

SINGLE PHASE TRANSFORMER
BASE

WEIGHT = 1369kg/3018lbs

1300mm x 1300mm [O.D]