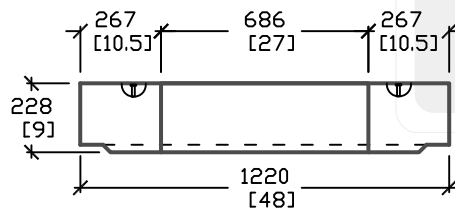
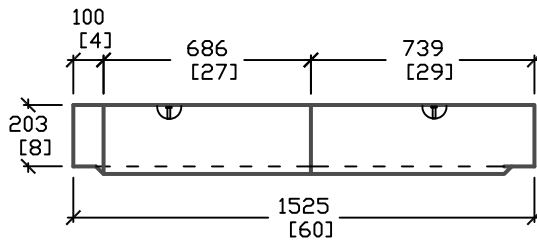


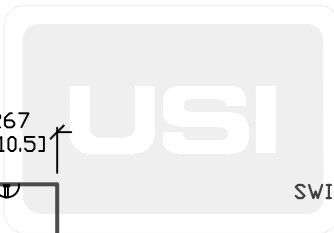
**PLAN VIEW**



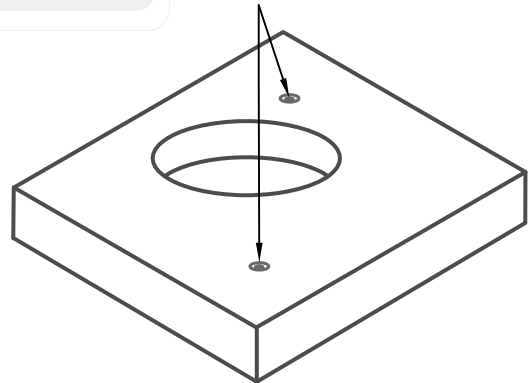
**CROSS SECTION 'A'**



**CROSS SECTION 'B'**



SWIFT LIFT HOOK SYSTEM



**ISOMETRIC VIEW**

ALL DIMENSIONS DEFAULT TO MILLIMETERS

mm  
[in.]



61 BONGARD AVE  
OTTAWA, ON,  
PH: 800.267.6466  
FAX: 613.225.1681

www.utilitystructures.com

**NOTES:**

DESIGNED TO CL-625-DNT TRUCK  
LIVE LOADING AS PER CSA S6-06  
USE WITH BASE E-62

\*CSA 23.4-05  
35MPa (5000psi) AT 28 DAYS  
6-8% AIR ENTRAINED

| REV.# | MM/DD/YYYY  | PREP. |
|-------|-------------|-------|
| 1     | OCT/09/2008 | LRW   |
| 2     | FEB/27/2009 | LRW   |

**E-63**

ELECTRICAL MANHOLE PAD

WEIGHT = 900kg/1980lbs

**1220mm x 1525mm [O.D.]**