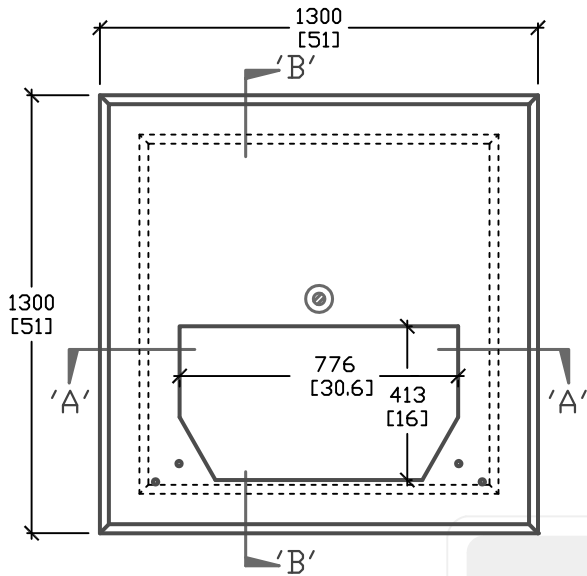
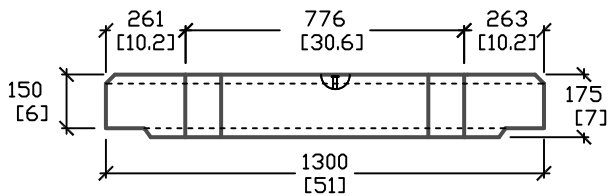


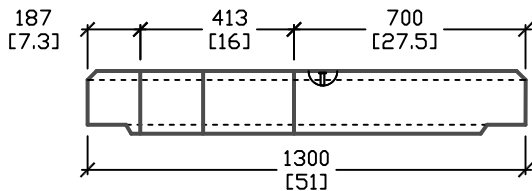
LOAD REQUIREMENTS	
DISTRIBUTED LATERAL LOAD	25kN/m
TOP SLAB DISTRIBUTED LOAD	60kN/m
TOP SLAB POINT LOAD	70kN/m



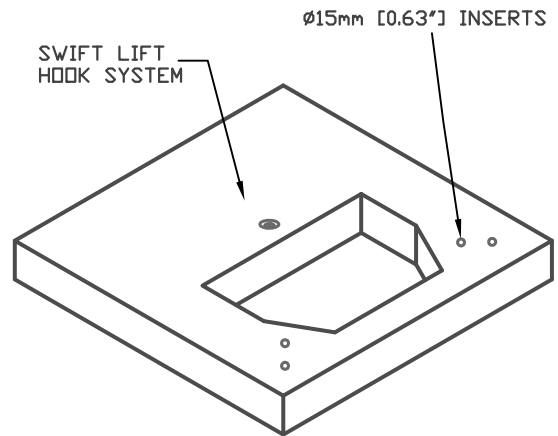
PLAN VIEW



CROSS SECTION 'A'



CROSS SECTION 'B'



ISOMETRIC VIEW

ALL DIMENSIONS DEFAULT TO MILLIMETERS

mm
[in.]



61 BONGARD AVE
OTTAWA, ON,
PH: 800.267.6466
FAX: 613.225.1681

www.utilitystructures.com

NOTES:

AS PER HYDRO OTTAWA UCS0003
25kVA TO 167kVA
USE WITH BASE E6

*CSA 23.4-05
35MPa (5000psi) AT 28 DAYS
6-8% AIR ENTRAINED

REV.#	MM/DD/YYYY	PREP.
1	MAR/03/2009	LRW

E-7

SINGLE PHASE
TRANSFORMER PAD

WEIGHT = 445kg/975lbs

1300mm x 1300mm [O.D.]