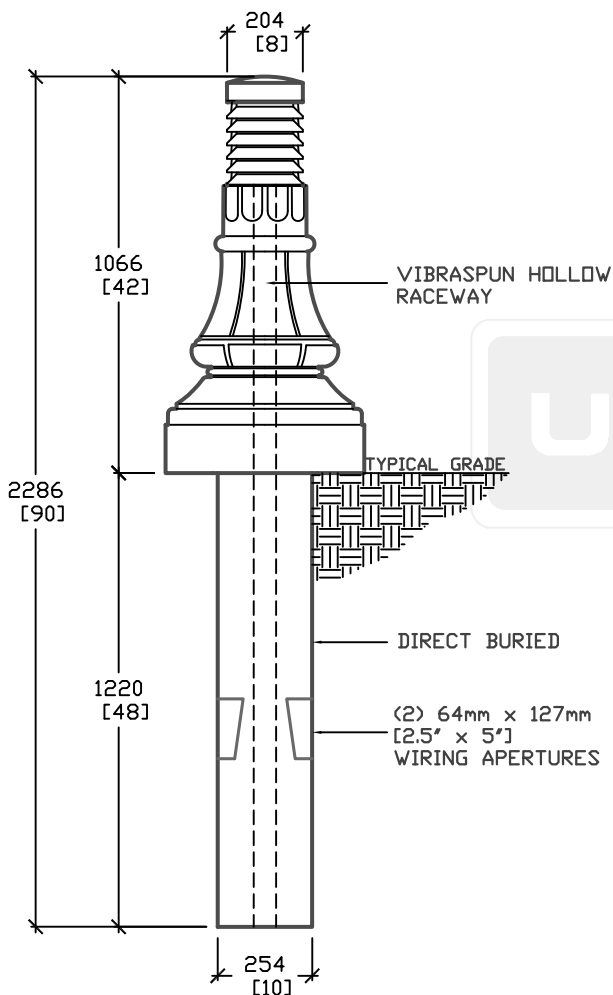
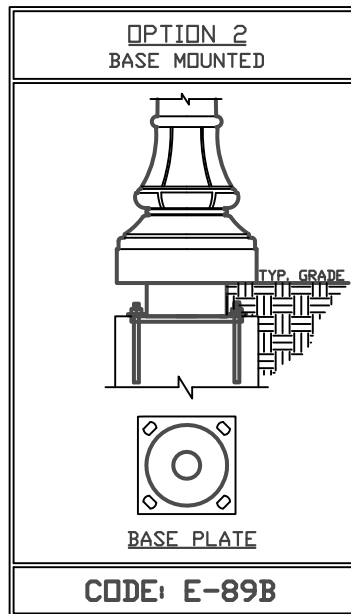
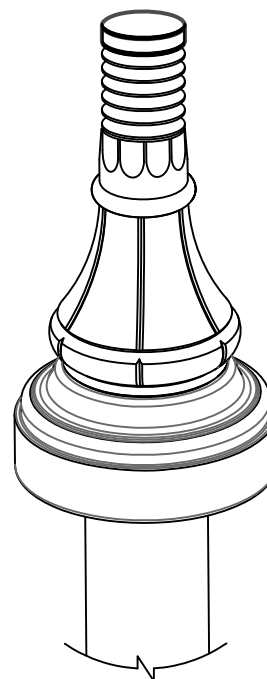


DETAIL



ELEVATION



ISOMETRIC

ALL DIMENSIONS DEFAULT TO MILLIMETERS

mm [in.]



61 BONGARD AVE
OTTAWA, ON,
PH: 800.267.6466
FAX: 613.225.1681

www.utilitystructures.com

NOTES:
AVAILABLE IN VARIOUS
COLORS & FINISHES

*CSA 23.4-05
35MPa (5000psi) AT 28 DAYS
6-8% AIR ENTRAINED

REV.#	MM/DD/YYYY	PREP.
2	FEB/23/2009	LRW
3	MAR/23/2009	LRW

E-89

WASHINGTON DIRECT BURIED
LIGHTING BOLLARD

WEIGHT = 182kg/400lbs

2.28m(H) x 200mm dia.