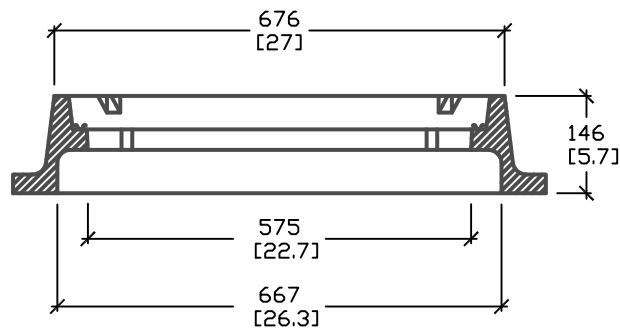
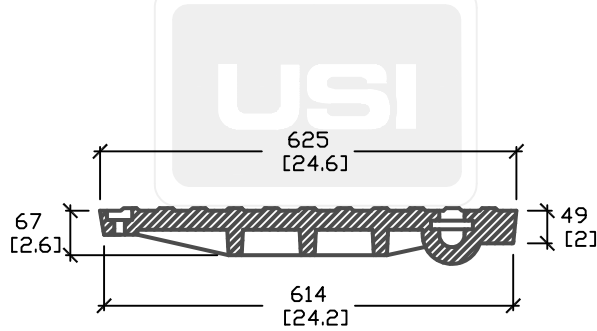
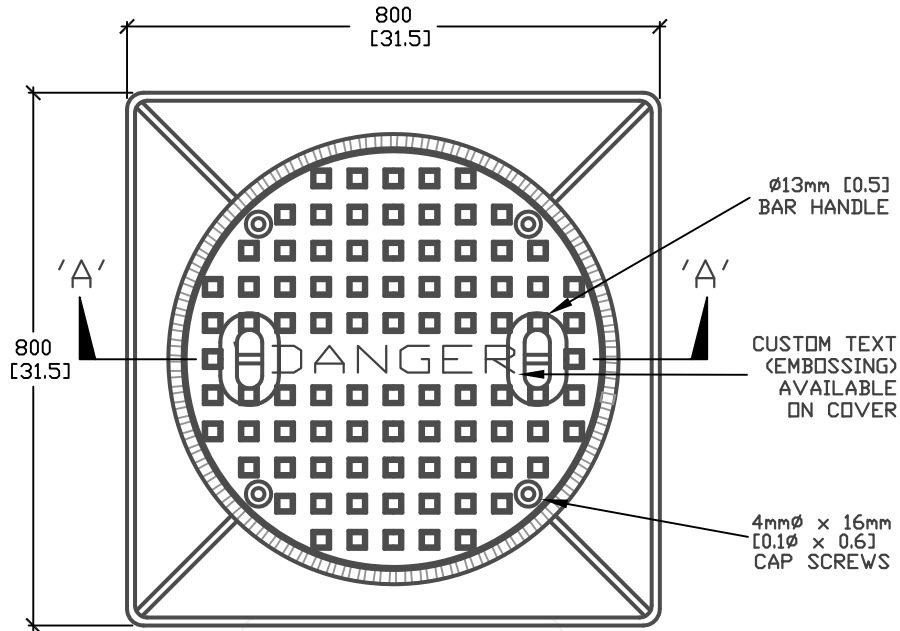


152mm x 625mm dia. [6"x25"] MANHOLE FRAME & COVER
 SQUARE FRAME ROUND COVER - WATERTIGHT
 (O.P.S.D. #401.03)



ALL DIMENSIONS DEFAULT TO MILLIMETERS

mm [in.]



61 BONGARD AVE
 OTTAWA, ON,
 PH: 800.267.6466
 FAX: 613.225.1681

www.utilitystructures.com

NOTES:
 AS PER O.P.S.D. 401.03

CAST-IRON

REV.#	MM/DD/YYYY	PREP.
1	AUG/01/2008	LRW
2	FEB/24/2009	LRW

F-2

WATERTIGHT FRAME AND COVER

WEIGHT = 175kg/385lbs

.15m(H) x 625mm dia.