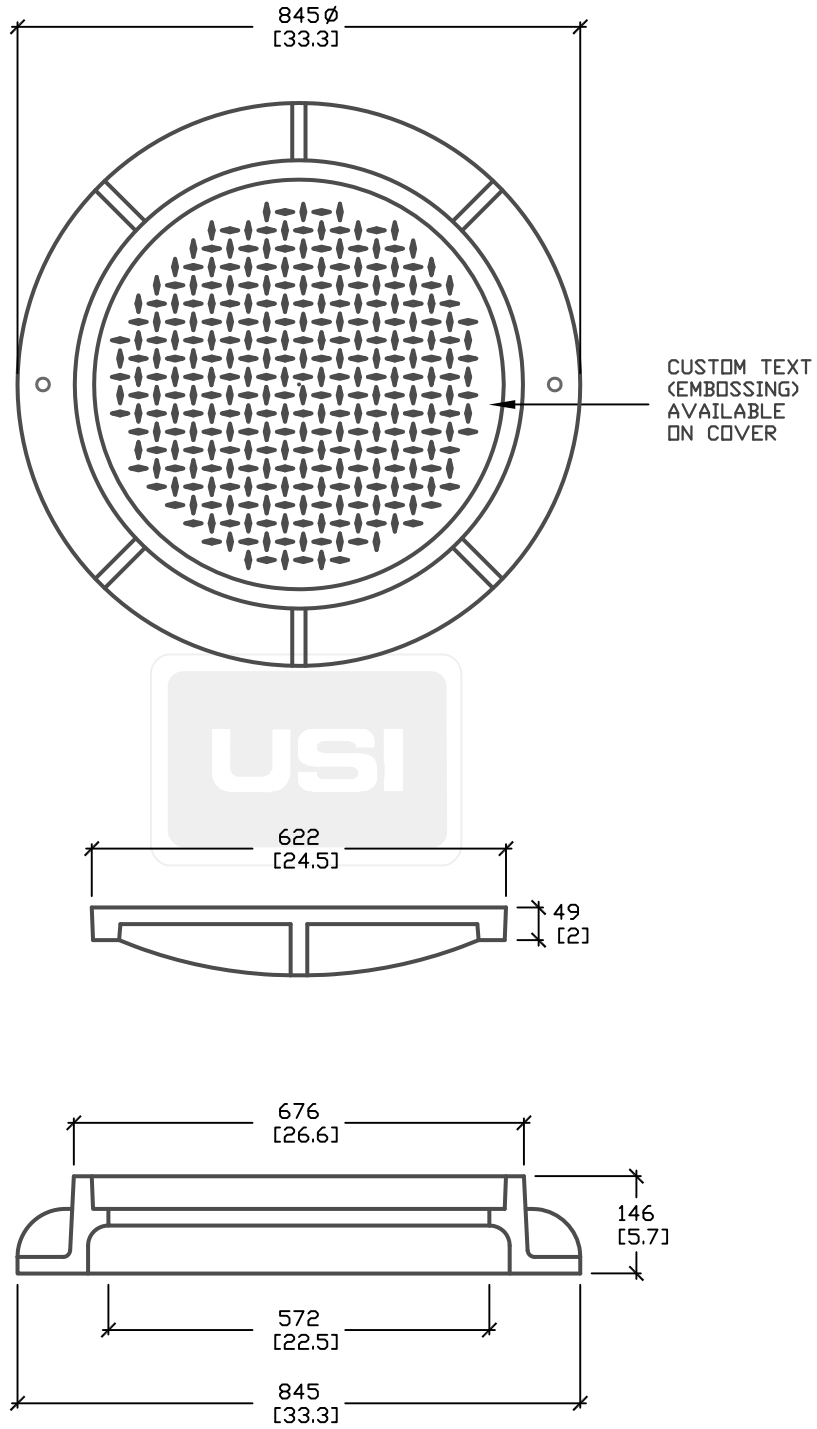


.15m x 622mm dia. [6"x25"] ROUND MANHOLE FRAME & COVER



ALL DIMENSIONS DEFAULT TO MILLIMETERS

mm
[in.]



61 BONGARD AVE
OTTAWA, ON,
PH: 800.267.6466
FAX: 613.225.1681

www.utilitystructures.com

NOTES:

SIMILAR TO C-12T
USE ON E-28

CAST-IRON

REV.#	MM/DD/YYYY	PREP.
1	AUG/01/2008	LRW
2	FEB/24/2009	LRW

F-3

ROUND FRAME & COVER

WEIGHT = 160kg/350lbs

.15m(H) x 622mm dia.