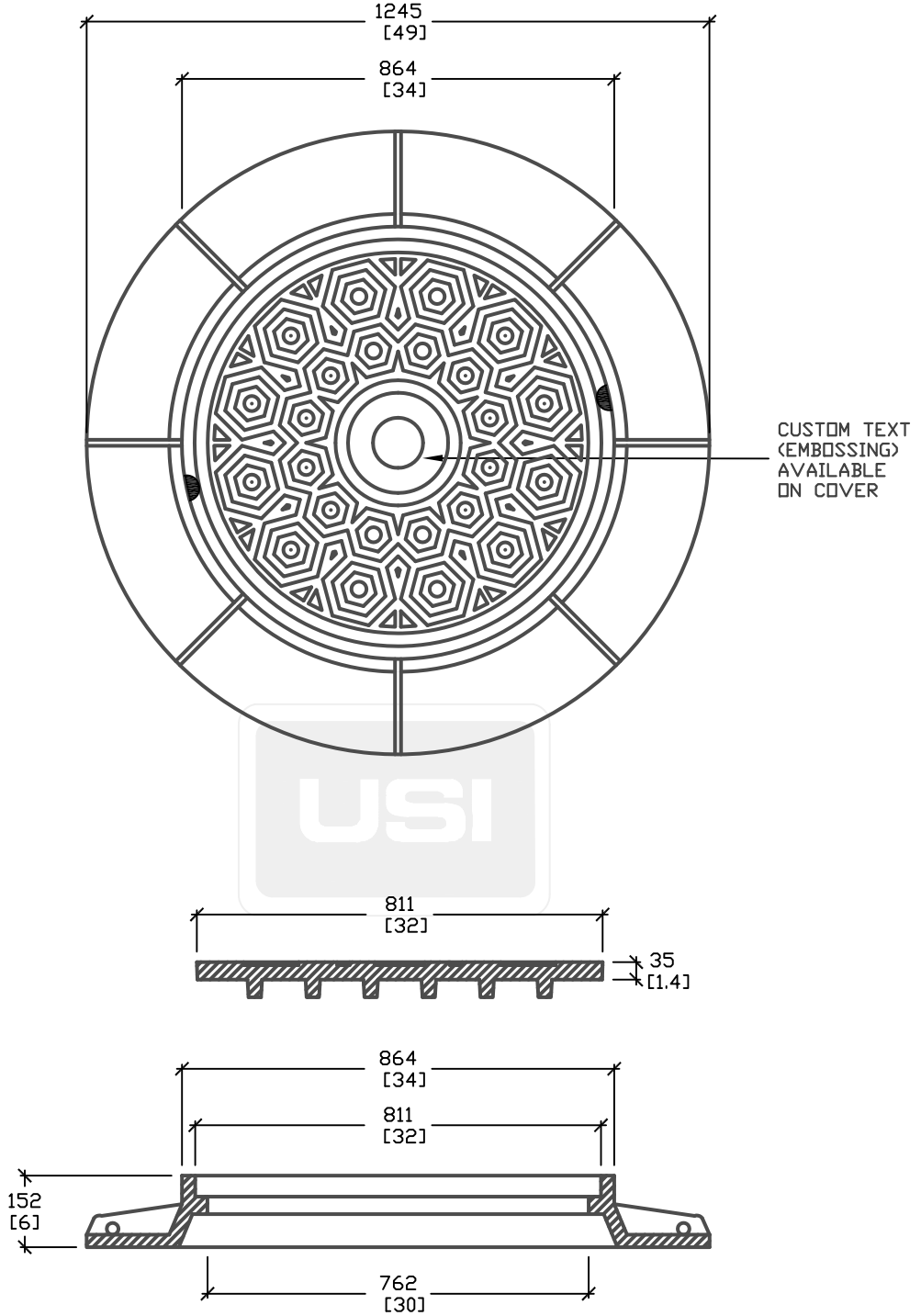


0.15m x 810mm [6" x 32"]  
ELECTRICAL FRAME AND COVER



ALL DIMENSIONS DEFAULT TO MILLIMETERS

mm  
[in.]



61 BONGARD AVE  
OTTAWA, ON,  
PH: 800.267.6466  
FAX: 613.225.1681

www.utilitystructures.com

**NOTES:**

SIMILAR TO C-43A  
USE FOR: E35,E36,E37,E38,E39

CAST-IRON

REV.#	MM/DD/YYYY	PREP.
2	FEB/24/2009	LRW
3	OCT/05/2009	LRW

**F-5**

ROUND FRAME & ROUND COVER

WEIGHT = 320kg/750lbs

**.15m(H) x 811mm dia.**