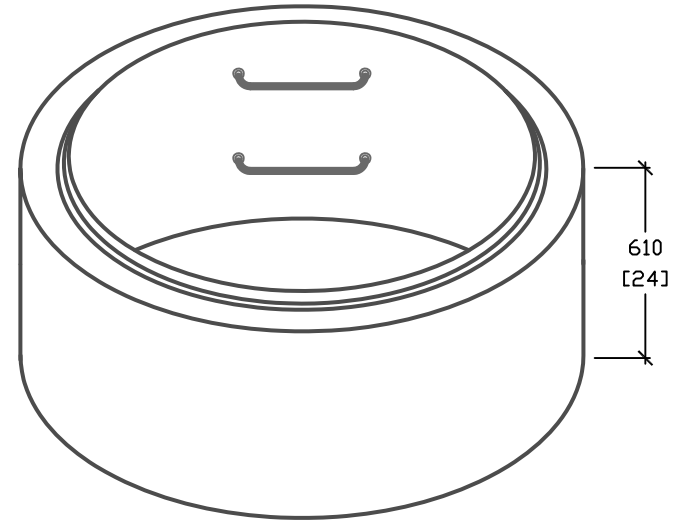
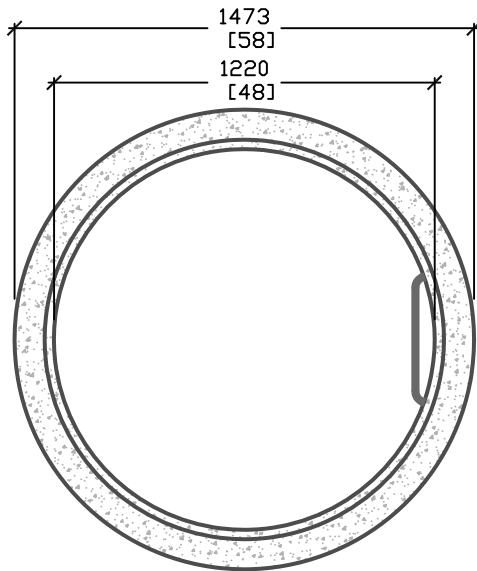
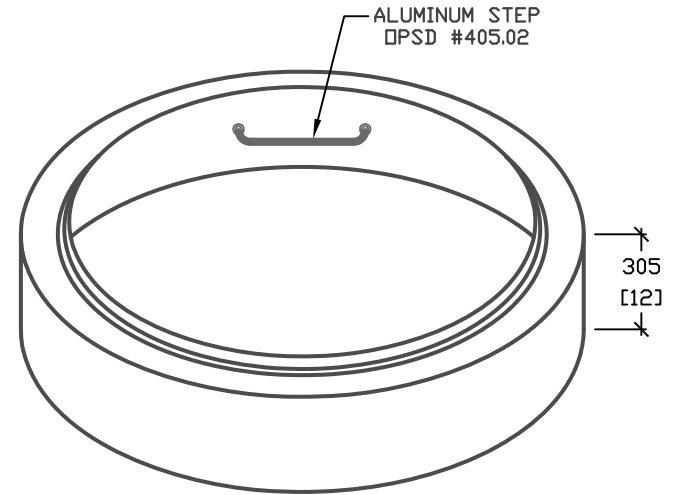
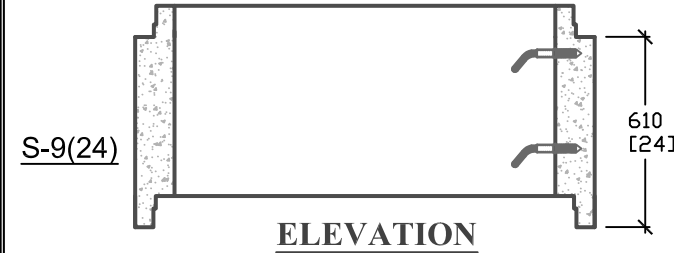
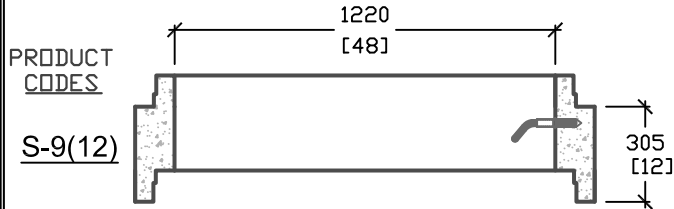


**NOTE:**  
 COMES WITH STANDARD  
 686mm [27"] dia. FRAME & COVER  
 OPENING BUT IS AVAILABLE WITH  
 VARIOUS OPENINGS.

**FLAT TOP DETAIL**  
**CODE: S9-FT**



ALL DIMENSIONS DEFAULT TO MILLIMETERS

mm  
[in.]



61 BONGARD AVE  
 OTTAWA, ON,  
 PH: 800.267.6466  
 FAX: 613.225.1681

www.utilitystructures.com

**NOTES:**  
 ALSO AVAILABLE IN THE FOLLOWING  
 HEIGHTS: S-9(36) & S-9(48).

\*CSA 23.4-05  
 35MPa (5000psi) AT 28 DAYS  
 5-8% AIR ENTRAINED

REV.#	MM/DD/YYYY	PREP.
1	NOV/30/2010	EG
2	JAN/17/2012	EG

**S-9**

1220mm  
 SPACER & FLAT TOP

WEIGHT = VARIES

**1220mm dia. [I.D.]**